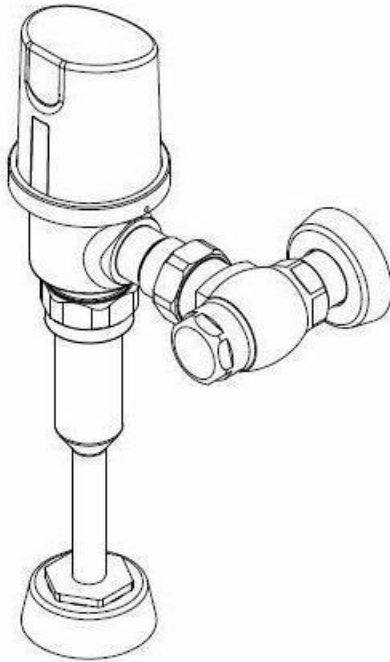


## 2131 URINAL

### intelligent™ Electronic Urinal Control, 'Retro-Fit' Style



#### Product Description

- 'Retro-fit' style flusher.
- Electronic module detects the presence of the user and enters its 'stand-by' mode. The urinal flushes when the user leaves the detection area.
- Computer based micro controller w/specially designed infra red sensors to detect within a required distance.
- All non-corrosive materials.
- Auto-courtesy flush every 24 hrs.
- Operated - 6Vdc

#### Features

- Low maintenance vs mechanical models
- Very low water consumption
- Operates at very low water pressure
- Heavy duty cast housing
- Vandal Proof / Waterproof
- Remote control re-programmable  
Flush Time / Flush delay / Detect Range /  
Detect Frequency / Detect delay
- Manual Push Button

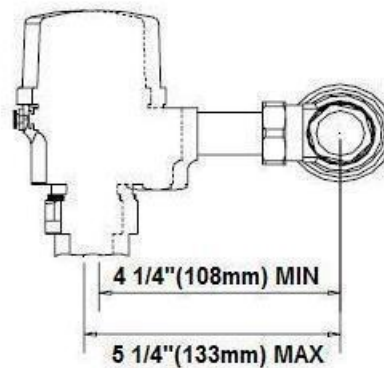
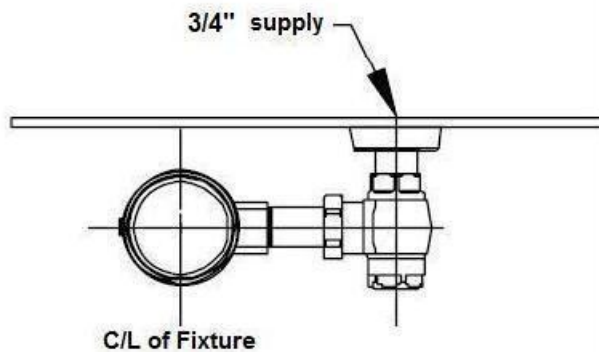
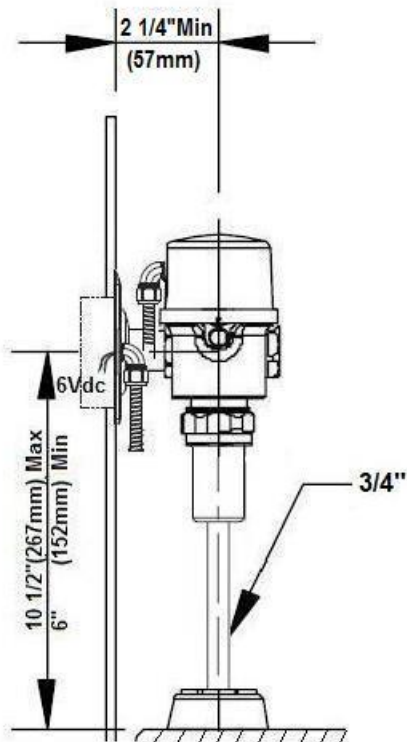
#### Model Choice

2131-ST	e/w straight connection
2131-1	Retro-fit for Zurn/Sloan type stop valve without stop valve & vacuum breaker kit
2131-1C	Retro-fit for Crane/Delany type stop valve without stop valve & vacuum breaker kit
2131-1D	Retro-fit for Cambridge/Delat type stop valve without stop valve & vacuum breaker
2131-C	Retro-fit for Crane/Delany type stop valve without stop valve, with vacuum breaker kit
2131-D	Retro-fit for Cambridge/Delat type stop valve without stop valve, with vacuum breaker

## 2131 URINAL

*intelligent™* Electronic Urinal Control, 'Retro-Fit' Style

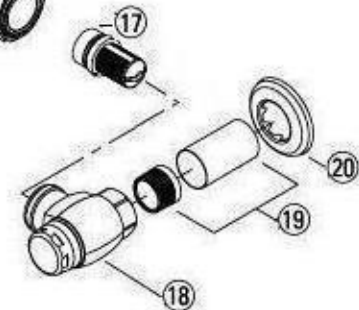
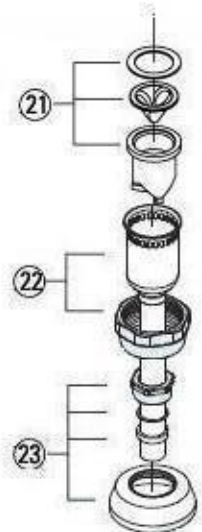
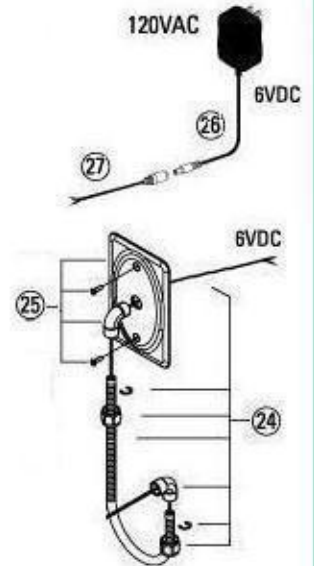
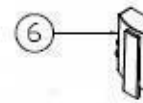
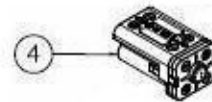
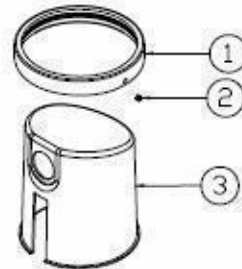
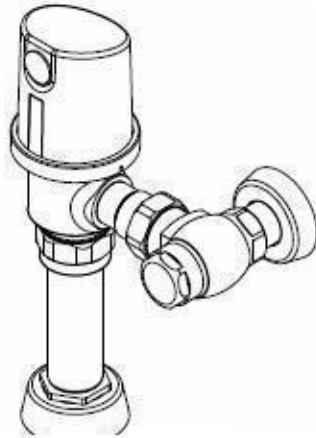
### TECHNICAL SPECIFICATIONS



\* Standard Vacuum Breaker (01-058) : 8 1/2"  
Option pièces d'extension: (02-230) : 24"

## 2131 URINAL

intelligent™ Electronic Urinal Control, 'Retro-Fit' Style  
PARTS LIST



#	Description	Part Number
1	Locking Ring	02-219
2	Screw	08-057
3	Top Cap	02-237
4	Box	01-176
6	Circuit assembly	AQN-2131N-2
7	Screw	08-058
8	Base, Plastic	02-240
9	Rubber, seal	02-222
10	Screw	08-051
11	Screw	08-059
12	Solenoid Valve	04-172
13	Spring	02-223
14	Diaphragm assembly	04-173
15	Push Button	01-154
16	Valve Body assembly	01-155
17	Filter	01-170 (e/w 01-152 & 04-179)
18	Stop Valve	01-055
19	Sleeve pipe & sweat adaptor	01-056
20	Wall flange	04-146
21	Vacuum Breaker	01-057
22	Tube & Nut	01-058
23	Spud Nut Kit	01-059
24	Wire Jacket, Vandal Proof	01-053 (e/w 04-185 & 02-241)
25	Wall Plate	01-052
26	Power Switch 6VDC	04-134
27	Wire	04-141



## 2131 URINAL - *intelligent™* Electronic Urinal Control, 'Retro-Fit' Style INSTALLATION STEPS

### ENTRY VALVE

- 1 - Solder the brass collar # 4A to water source at correct wall position.
- 2 - Insert the chrome collar # 5B and wall flange # 5A.
- 3 - Connect the chrome stop valve # 4B to the brass collar # 4A.
- 4 - Open water source and purge waterways.

### MAIN BODY AND VACUUM BREAKER

- 5 - Assemble # 8 on the vacuum breaker body # 7. The vacuum breaker tube length has to be cut to proper height.
- 6 - Slip on the spud gasket chrome flange #8D, seals and chrome nut #8A.
- 7 - On vacuum breaker, place gasket #6A and screw to the main body.
- 8 - Align the main body water entry connection, insert and screw the large chrome nut to the stop valve # 4B. Tighten accordingly.
- 9 - Connect the vacuum breaker base nut #7B.

### ELECTRICAL CONNECTIONS

- 10 - Pass the electrical wires through the Wall Plate #1A elbow connector. Screw in the chrome nut from the vandal proof cable.
- 11 - Attach the two 6 Vdc wires with the wire twists supplied. No polarity required.
- 12 - Attach Wall Plate # 1A to electrical box with two # 1B screws.
- 13 - Apply current to the transformer to obtain the required 24Vac power.
- 14 - Place hand in front of the detection lens to begin detection sequence. After the allotted time, remove hand to operate the flush cycle.



#### Tools Required:

- Adjustable Wrench
- Phillips screwdriver
- Soldering Tools