

1887/1887B Series Wall Mounted Electronic Faucet



Product Description :

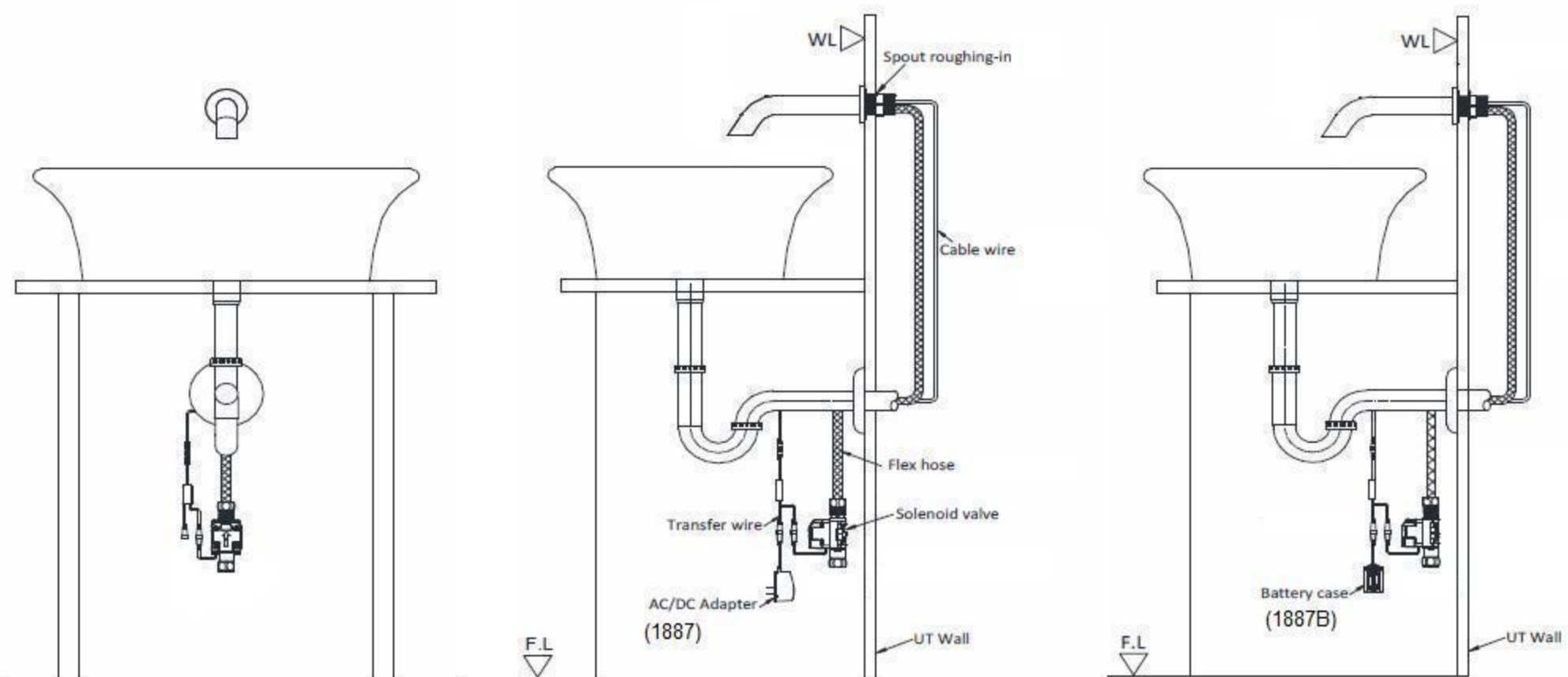
- Infrared Sensor : Automatic Operation
- Waterproof, high quality and safety
- Chrome Plated Cast Brass
- Power : Battery Operated - 4 X AA Alkaline Batteries
AC Power - 6VDC plug-in adapter
- Low Battery Indicator Light (LED) – Battery Operated
- Infrared Sensor Range : Auto adjusted 5cm ~ 20cm
- Shut-off Delay Time : 1sec
- Time out Setting : 1 min
- Flow Rate : 1.0GPM (3.8LPM) Aerator
- Operating Water Pressure : 10 to 100 PSI
- Water Supply Connection : 1/2"
- Mounted on a Single-hole, Wall mounted

Options :

- | | |
|--------|-------------------------------------|
| 1884 | e/w 6VDC plug-in Adapter |
| 1884B | Battery Operated (4 x AA batteries) |
| 04-134 | Switching Adapter, 6VDC (Plug-in) |
| 04-154 | Power Supply, 6VDC |

Mixer :

- | | |
|-----|-------------------------|
| MP1 | 1/2" Mechanical Mixer |
| MP6 | 1/2" Thermostatic Mixer |



1887/1887B Series Wall Mounted Electronic Faucet

