

# 1885/1885B Series Electronic Faucet



## Product Description :

- Infrared Sensor : Automatic Operation
- Waterproof, high quality and safety
- Chrome Plated Cast Brass
- Power : Battery Operated - 4 X AA Alkaline Batteries  
AC Power - 6VDC plug-in adapter
- Low Battery Indicator Light (LED) – Battery Operated
- Infrared Sensor Range : Auto adjusted 5cm ~ 20cm
- Shut-off Delay Time : 1sec
- Time out Setting : 1 min
- Flow Rate : 1.0GPM (3.8LPM) Aerator
- Operating Water Pressure : 10 to 100 PSI
- Water Supply Connection : 1/2"

## Options :

- |          |                                     |
|----------|-------------------------------------|
| 1885     | e/w 6VDC plug-in Adapter            |
| 1885-M   |                                     |
| 1885-4   | or -8                               |
| 1885-4M  | or -8M                              |
|          |                                     |
| 1885B    | Battery Operated (4 x AA batteries) |
| 1885B-M  |                                     |
| 1885B-4  | or -8                               |
| 1885B-4M | or -8M                              |

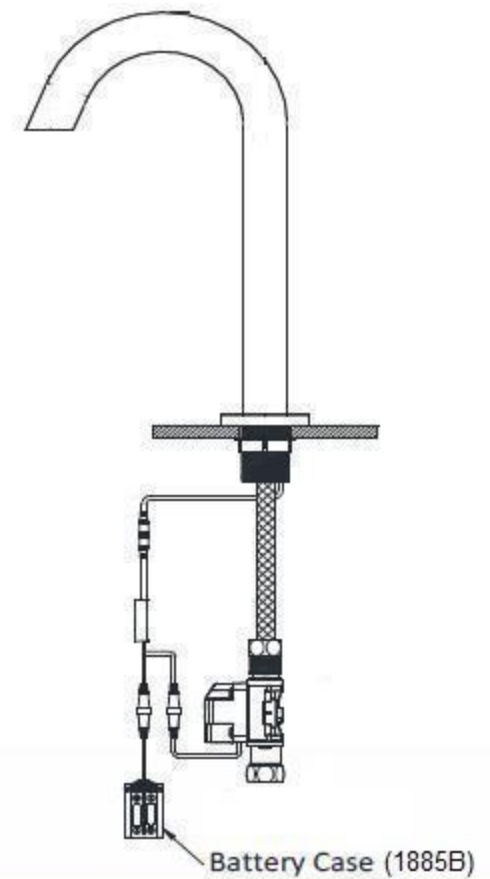
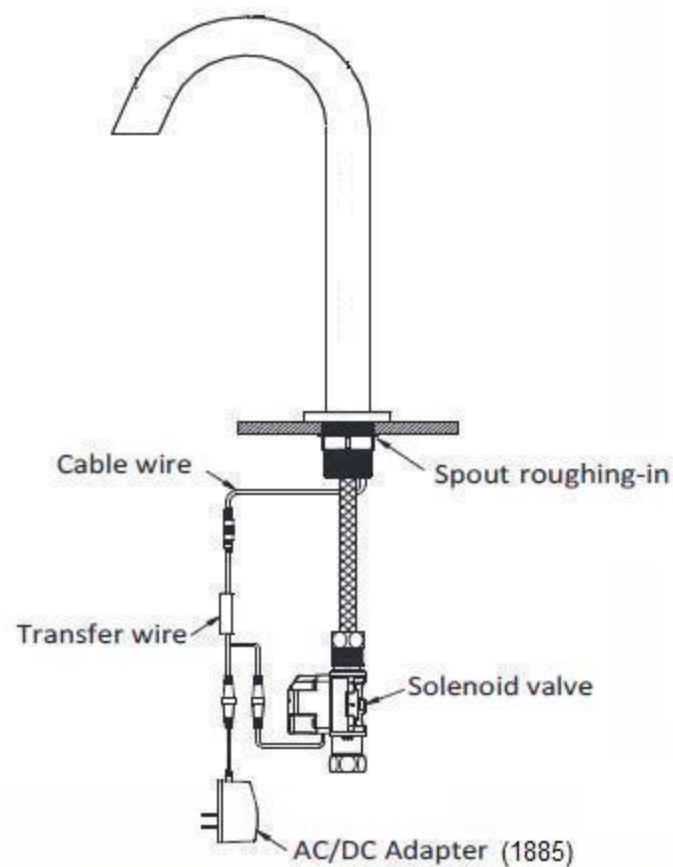
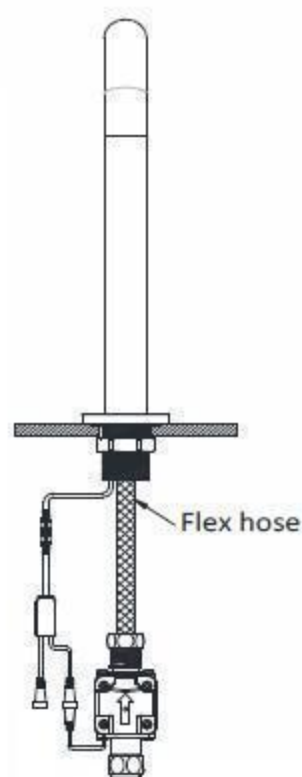
### Note :

- 4 = 4" Deck Plate
- 8 = 8" Deck Plate
- M = Mechanical Mixer MP1

- |        |                                   |
|--------|-----------------------------------|
| 04-134 | Switching Adapter, 6VDC (Plug-in) |
| 04-154 | Power Supply, 6VDC                |

## Mixer :

- |     |                         |
|-----|-------------------------|
| MP6 | 1/2" Thermostatic Mixer |
|-----|-------------------------|



## 1885/1885B Series Electronic Faucet

