

1879-4M2 Faucet

intelligent™ Electronic Gooseneck Faucet e/w Above Deck Mixer



Product Description

- Forged solid brass electronic faucet
- Above deck Temp Mixer on 4" Plate
- Designer Series, gooseneck spout
- Computer based micro controller w/specially designed infra red sensors to detect within a required distance.
- Auto shut-off - 1 minute
- Modular design to accept optional equipment
- e/w plug-in adapter 120/24vac

Features

- Temp control - Above deck mixer, cold drinking water to tempered washing.
- Sealed waterproof electronics
- Vandal Proof / Tamper cycle
- Remote control re-programmable
- Smooth flow non-splash laminar nozzle

Certification

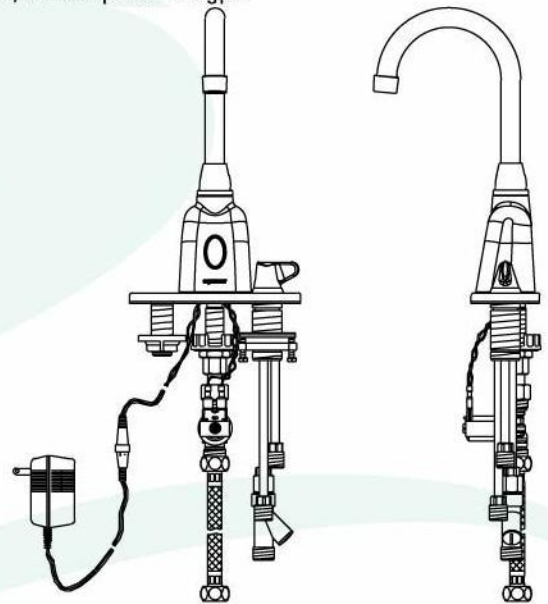
IAPMO cUPC
ADA / ANSI Compliant

Model Choice :

- 1879-4M2 Mech. Mixer
- 1879-4M3 Thermostatic Mixer

Options

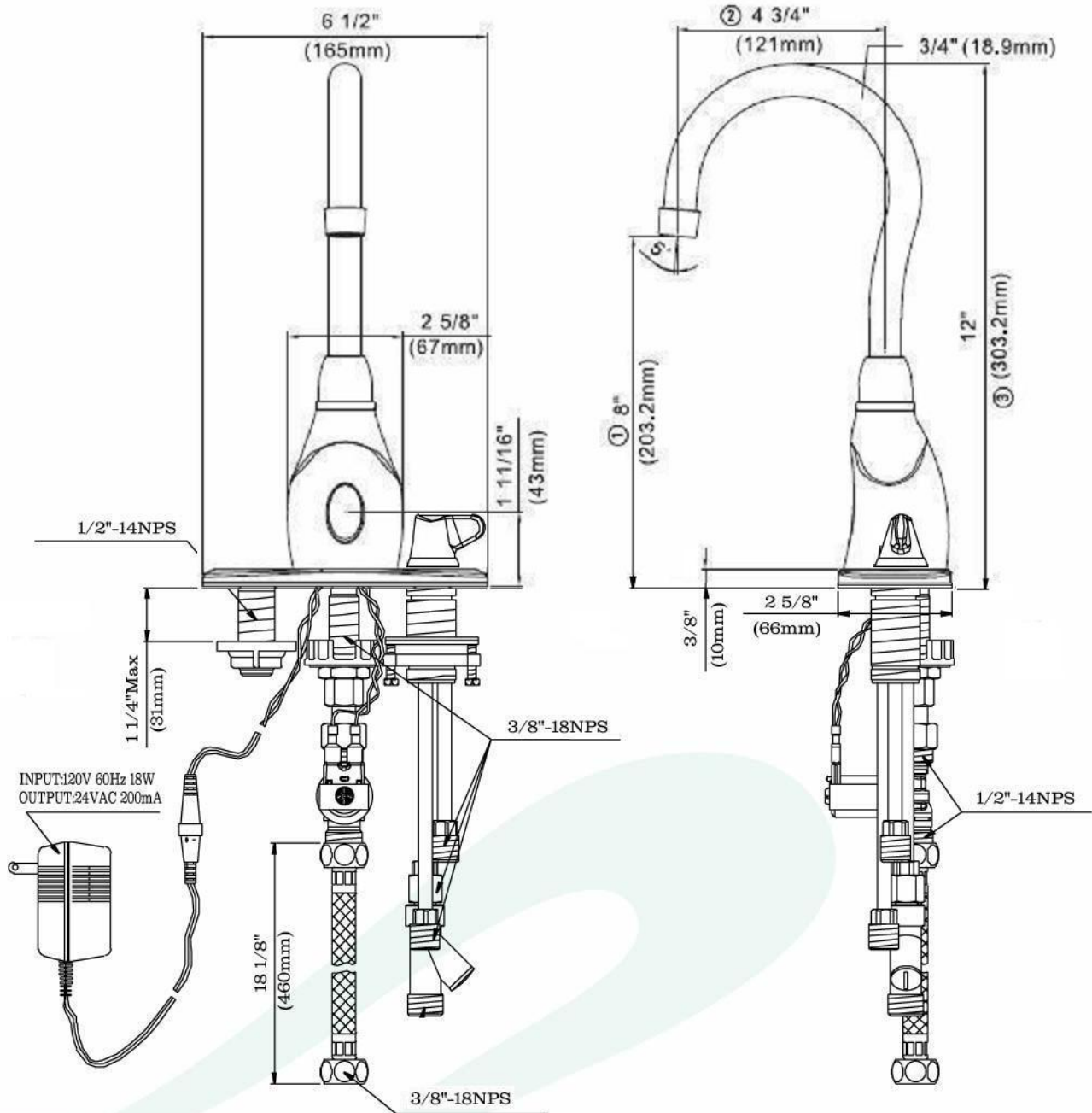
- 04- 132 Nozzle, vandal proof 2.2 gpm
- 04- 153 Nozzle, vandal proof 0.5 gpm



1879-4M2 Faucet

intelligent™ Electronic Gooseneck Faucet e/w Above Deck Mixer

TECHNICAL SPECIFICATIONS



* - option voir détail

Pour modèle avec bec de 8 3/8"

- ① - 9 1/8" (233mm)
- ② - 8 3/8" (214mm)
- ③ - 13 5/8" (345mm)

1879-4M2 Faucet

intelligent™ Electronic Gooseneck Faucet e/w Above Deck Mixer

PARTS LIST

#	Description	Part Number
5	Nut, Washer & Wire washer	01-088
6	Pipe assembly, taper base	01-019
7	Magnetic valve 24Vac	04-025
8	Flexible hose 18" 1/2" x1/2"	04-068
11	Plug in adapter 120/24Vac	04-059
12	Electronic Module	AQN-1879-2
13	Wedge block	02-070
14	Mounting block with screw	01-089
15	Mixer, Above Deck	4M2 or 8M2
16	"Y" Filter	01-081
25	Solid brass body c.p.	02-143 X
26	Laminar nozzle	04-132
27	Spout assy. GN c.p.	01-113
28	Gasket, body	02-144 X

