

1879B - 4M2 Faucet

intelligent™ Electronic Gooseneck Faucet, e/w Above Deck Mixer, Battery Operated



Product Description

- Forged solid brass electronic faucet
- Above deck Temp Mixer on 4" Plate
- Designer Series, gooseneck spout
- Computer based micro controller w/specially designed infrared sensors to detect within a required distance
- Auto shut-off - 1 minute
- Modular design to accept optional equipment
- Battery housing e/w 6V sealed polarized plug

Features

- Temp control - Above deck mixer, cold drinking water to tempered washing.
- Sealed waterproof electronics
- Vandal Proof / Tamper cycle
- Remote control re-programmable
- Smooth flow non-splash laminar nozzle

Certification

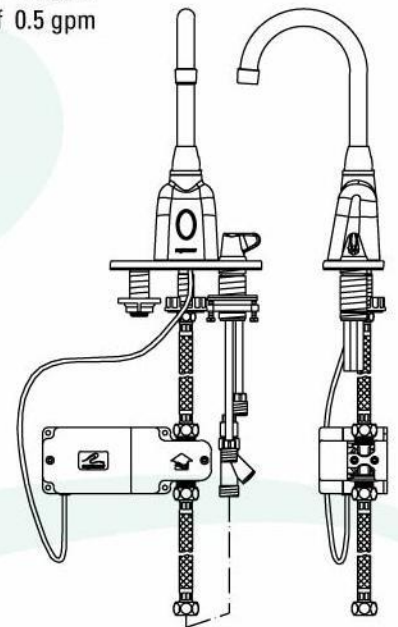
IAPMO cUPC
ADA / ANSI Compliant

Model Choice :

- 1879B-4M2 Mech. Mixer
- 1879B-4M3 Thermostatic Mixer

Options

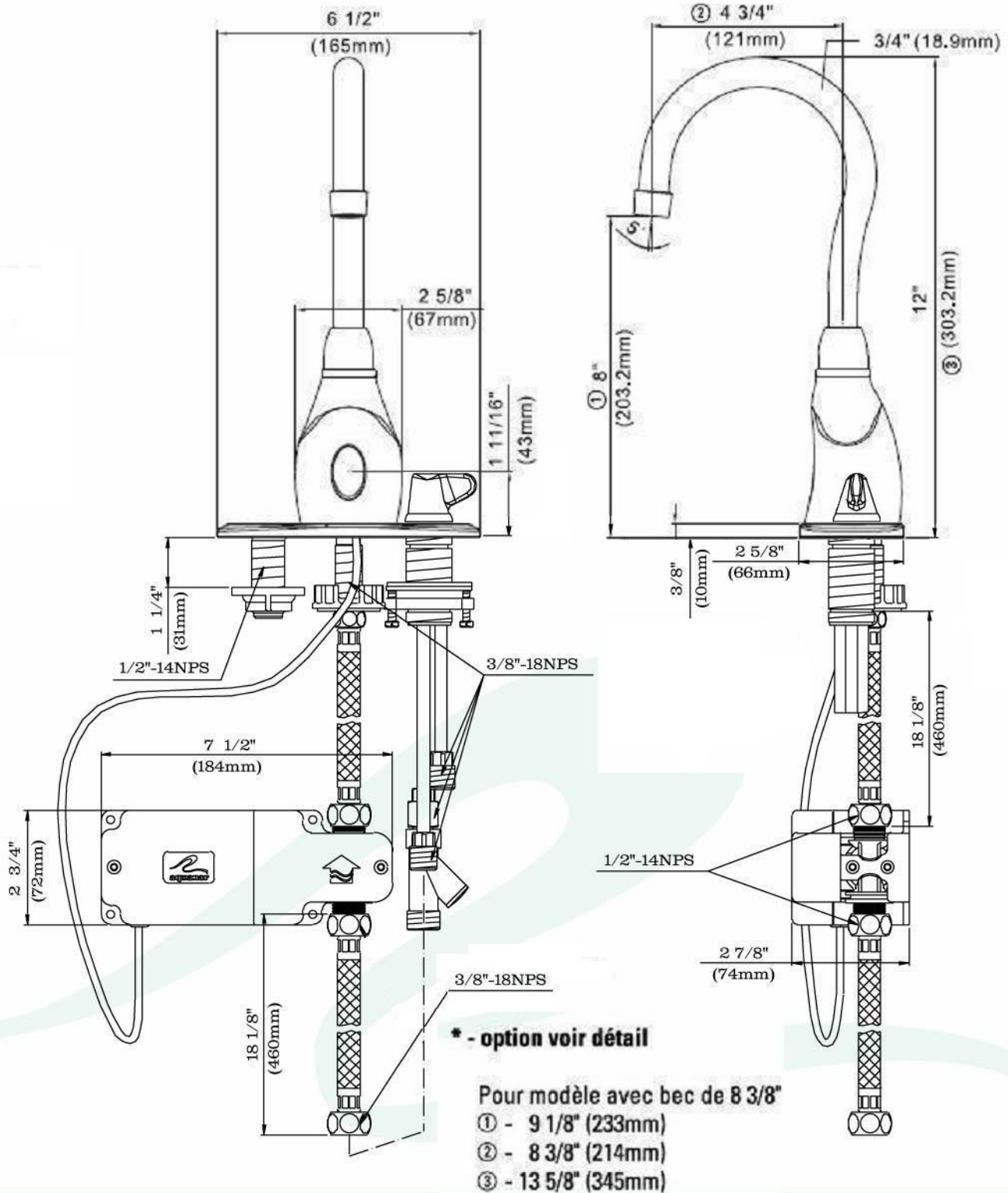
- 04- 132 Nozzle, vandal proof 2.2 gpm
- 04- 153 Nozzle, vandal proof 0.5 gpm



1879 B - 4M2 Faucet

intelligent™ Electronic Gooseneck Faucet, e/w Above Deck Mixer, Battery Operated

TECHNICAL SPECIFICATIONS



1879B-4M2 Faucet

intelligent™ Electronic Gooseneck Faucet, e/w Above Deck Mixer,

Battery Operated

PARTS LIST

#	Description	Part Number
5	Nut, Washer & Wire washer	01-088
13	Wedge block	02-070
14	Mounting block with screw	01-089
15	Mixer, Above Deck	4M2 or 8M2
16	"Y" Filter	01-081
17	Battery 'C' 1.5v Alky	04 -082
18	Battery pack assy .	01 -050
19	Magnetic valve 6Vdc	04 -176
20	Screws & wall Anchor Kit	08 -040
21	Battery holder 'C' & cable assy.	01 -082
22	Screws M4 x 20 mm	08 -047
23	Flexible hose, upper 18"1/2 x 3/8	04 -068
24	Electronic Module	AQN-1879B-2
25	Solid brass body c.p.	02-143 X
26	Laminar nozzle	04-132
27	Spout assy. GN c.p.	01-113
28	Gasket, body	02-144 X

large goose neck:

26	Laminar nozzle	04-158 L
27	Spout assy. GN c.p.	01-134

