

1879 B Series

intelligent™ Electronic Gooseneck Faucet, Battery Operated



Product Description

- Solid brass electronic faucet
- Designer Series, gooseneck spout
- Computer based micro controller w/specially designed infrared sensors to detect within a required distance.
- Auto shut-off - 1 minute
- Modular design to accept optional equipment
- Battery housing e/w 6V sealed polarized plug.

Features

- Sealed waterproof electronics
- Vandal Proof / Tamper cycle
- Remote control re-programmable
- Smooth flow non-splash laminar nozzle

Certification

IAPMO cUPC
ADA / ANSI Compliant

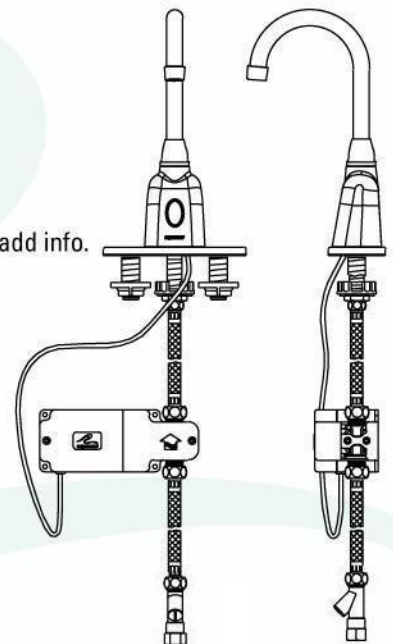
Model Choice :

1879 B
1879 BM
1879 B-4 or 1879 B-8
1879 B-4M or 1879 B-8M
1879 B-4M2 or 1879 B-8M2
1879 B-4M3 or 1879 B-8M3
M = MP1 mechanical mixer
4 = 4" deck plate
8 = 8" deck plate

Options

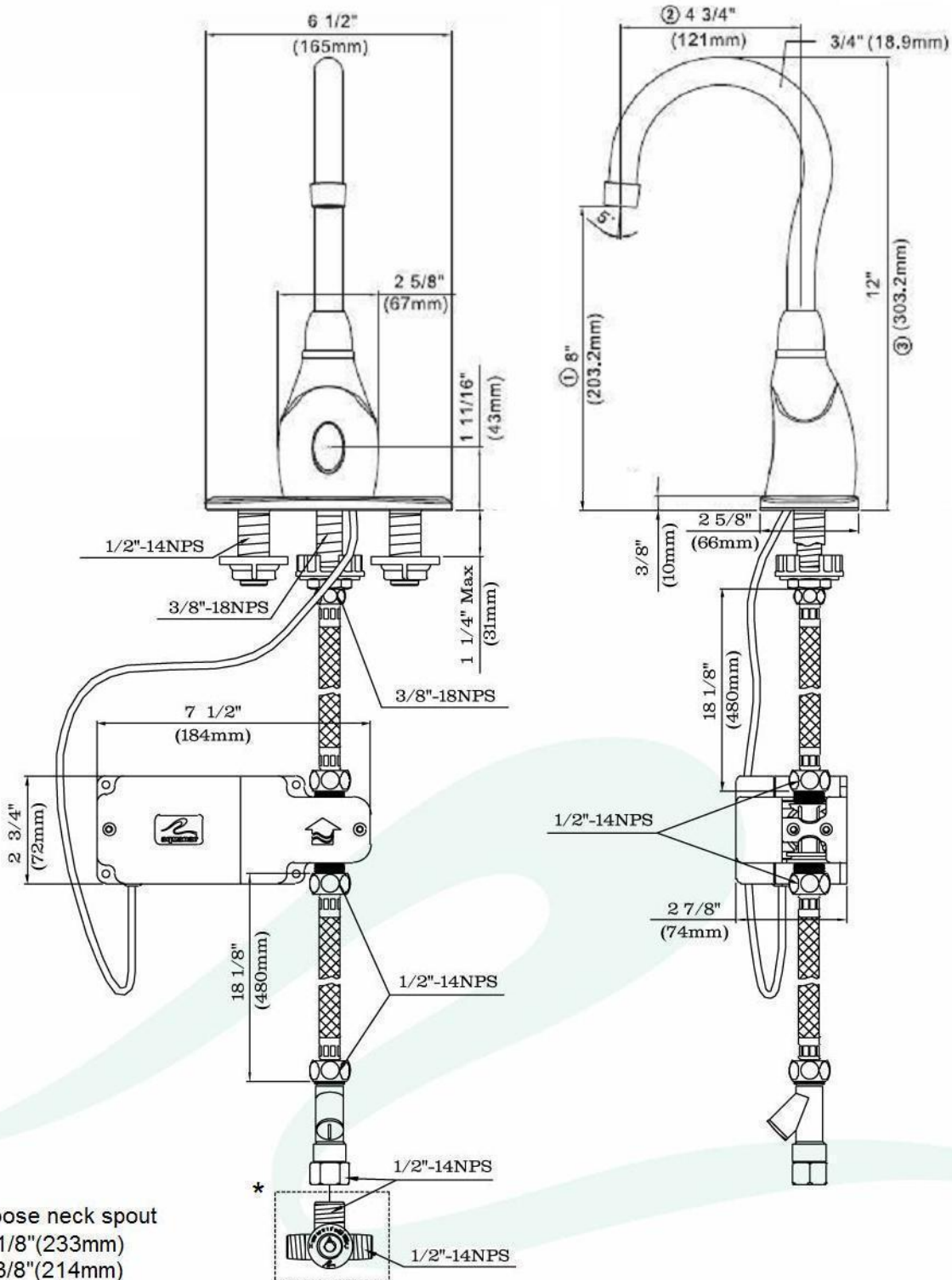
04- 153 Nozzle, 0.5 gpm
MP4 Mixer 1/2"
MP6 Mixer 3/8"

note; see mixer section for add info.



1879 B Series

intelligent™ Electronic Gooseneck Faucet, Battery Operated
TECHNICAL SPECIFICATIONS



* option

** large goose neck spout

- (a) - 9 1/8" (233mm)
- (b) - 8 3/8" (214mm)
- (c) - 13 5/8" (345mm)

1879 B Series

intelligent™ Electronic Gooseneck Faucet, Battery Operated PARTS LIST

#	Description	Part Number
4	4" plate assembly	01-103
5	Nut, Washer & Wire washer	01-088
8	Flexible hose 18" 1/2" x 1/2"	04-058
9	"Y" Filter	01-027
10	Mechanical mixer	AQN-MP1
13	Wedge block	02-070
14	Mounting block with screw	01-089
17	Battery 'C' 1.5v Alky	04-082
18	Battery pack assy .	01-050
19	Magnetic valve 6Vdc	04-176
20	Screws & wall Anchor Kit	08-040
21	Battery holder 'C' & cable assy.	01-082
22	Screws M4 x 20 mm	08-047
23	Flexible hose, upper 18" 1/2 x 3/8	04-068
24	Electronic Module	AQN-1879B-2
25	Solid brass body c.p.	02-143X
26	Nozzle, DN, Laminar flow 2.2	04-132
27	Spout assy. c.p.	01-113
28	Gasket, body	02-144X

large goose neck:

26	Laminar nozzle	04-158L
27	Spout assy. GN c.p.	01-134

