

## 1878-4M2 Faucet

### intelligent™ Electronic Lav Faucet e/w Above Deck Mixer



#### Product Description

- Solid brass electronic faucet
- Above deck Temp Mixer on 4" Plate
- Designer Series, high arc spout
- Computer based micro controller w/specially designed infrared sensors to detect within a required distance
- Auto shut-off - 1 minute
- Modular design to accept optional equipment
- e/w plug-in adapter 120/24vac

#### Features

- Temp control - Above deck mixer, cold drinking water to tempered washing.
- Sealed waterproof electronics
- Vandal Proof / Tamper cycle
- Remote control re-programmable
- Smooth flow non-splash laminar nozzle

#### Certification

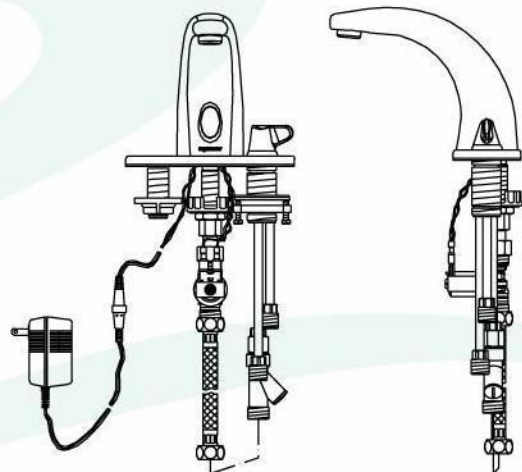
IAPMO cUPC  
ADA / ANSI Compliant

#### Model Choice :

1878-4M2	Mech. Mixer
1878-4M3	Thermostatic Mixer

#### Options

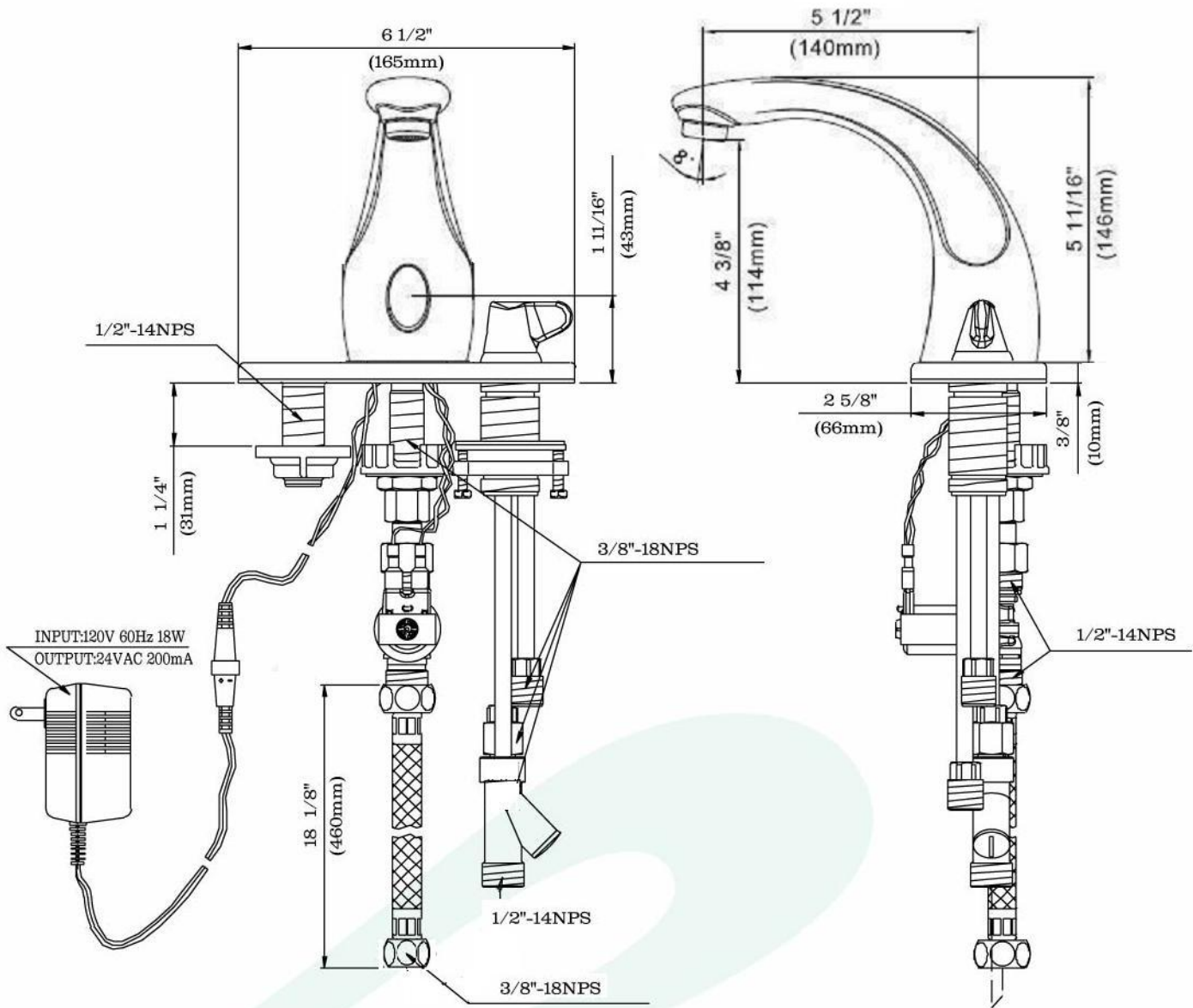
04- 119 Nozzle, vandal proof 2.2 gpm  
04- 152 Nozzle, vandal proof 0.5 gpm  
note; options above could be indicated  
in the above model no.



## 1878-4M2 Faucet

*intelligent™* Electronic Lav Faucet e/w Above Deck Mixer

### TECHNICAL SPECIFICATIONS



## 1878-4M2 Faucet

*intelligent™* Electronic Lav Faucet e/w Above Deck Mixer

### PARTS LIST

#	Description	Part Number
1	Solid brass body C.P.	02-154 X
2	Laminar nozzle 2.2 gpm	04-119
3	Base seal, rubber	02-087 X
5	Nut, Washer & Wire washer	01-088
6	Pipe assembly, taper base	01-019
7	Magnetic valve 24Vac	04-025
8	Flexible hose 18"1/2 x 3/8	04-068
11	Plug in adapter 120/24Vac	04-059
12	Electronic Module	AQN-1878-2
13	Wedge block	02-070
14	Mounting block with screw	01-089
15	4" plate assembly and mixer	4M2 or 4M3
16	"Y" Filter	01-081

