

1878B-4M2 Faucet

intelligent™ Electronic Lav Faucet e/w Above Deck Mixer, Battery Operated



Product Description

- Solid brass electronic faucet
- Above deck Temp Mixer on 4" Plate
- Designer Series, high arc spout
- Computer based micro controller w/specially designed infrared sensors to detect within a required distance.
- Auto shut-off - 1 minute
- Modular design to accept optional equipment
- Battery housing e/w 6V sealed polarized plug.

Features

- Temp control - Above deck mixer, cold drinking water to tempered washing.
- Sealed waterproof electronics
- Vandal Proof / Tamper cycle
- Smooth flow non-splash laminar nozzle

Certification

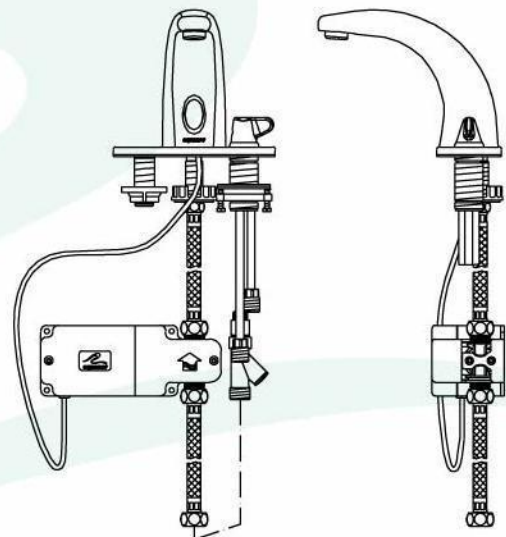
IAPMO cUPC
ADA / ANSI Compliant

Model Choice :

1878B-4M2	Mech. Mixer
1878B-4M3	Thermostatic Mixer

Options

- 04- 119 Nozzle, vandal proof 2.2 gpm
04- 152 Nozzle, vandal proof 0.5 gpm
note; options above could be indicated in the above model no.

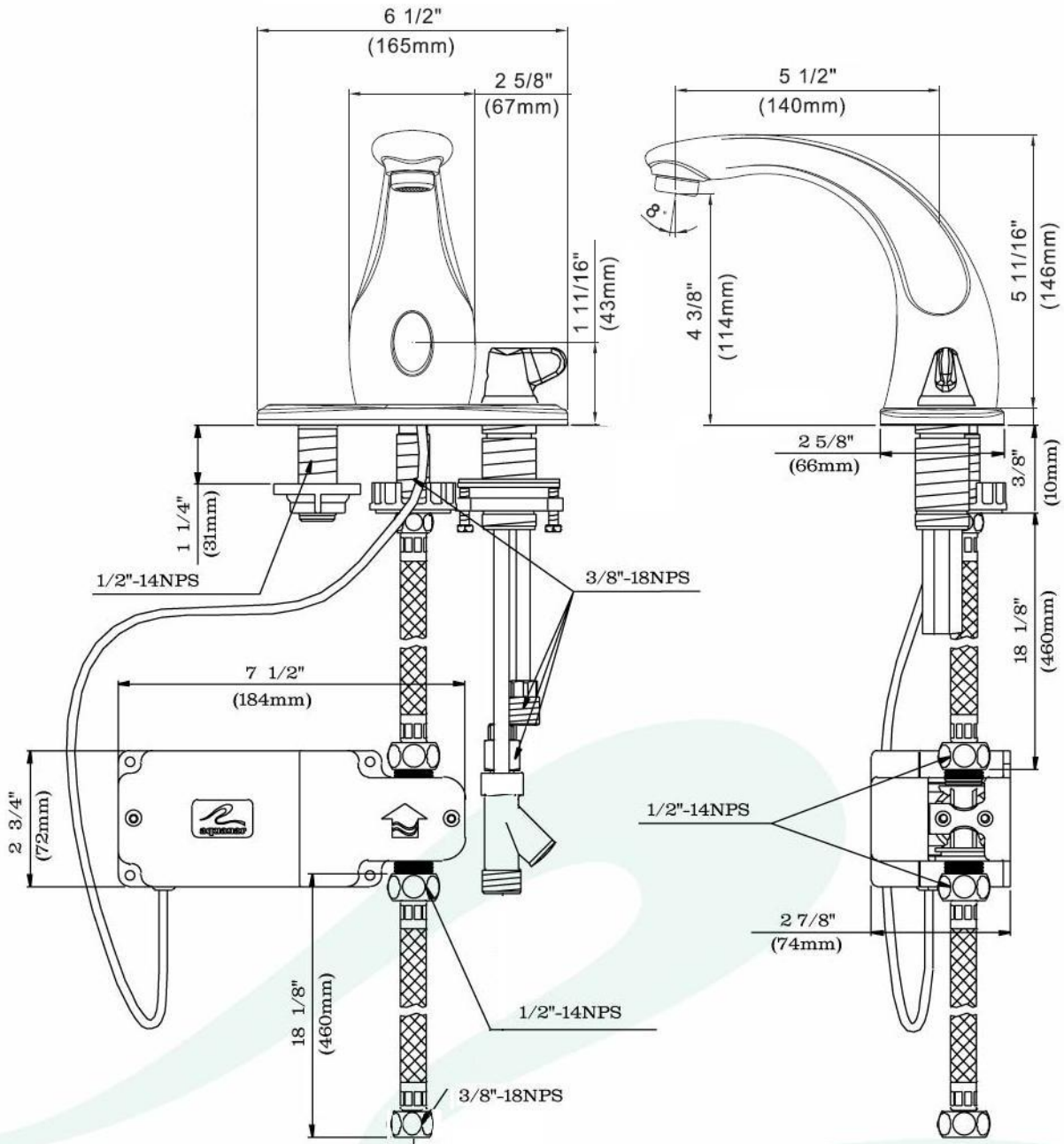


1878B-4M2 Faucet

intelligent™ Electronic Lav Faucet e/w Above Deck Mixer,

Battery Operated

TECHNICAL SPECIFICATIONS



1878B-4M2 Faucet

intelligent™ Electronic Lav Faucet e/w Above Deck Mixer, Battery Operated

PARTS LIST

#	Description	Part Number
1	Solid brass body C.P.	02-154X
2	Laminar nozzle 2.2 gpm	04-119
3	Base seal, rubber	02-087X
5	Nut, Washer & Wire washer	01-088
13	Wedge block	02-070
14	Mounting block with screw	01-089
15	4" plate assembly and mixer	4M2 or 4M3
16	"Y" Filter	01-081
17	Battery 'C' 1.5v Alky	04-082
18	Battery pack assy.	01-050
19	Magnetic valve 6Vdcc	04-176
20	Screws e/w wall Anchor Kit	08-040
21	Battery holder 'C' & cable assy.	01-082
22	Screw M4 x 20 mm	08-047
23	Flexible hose, upper 18" 1/2 x 3/8	04-068
24	Electronic module	AQN-1878B-2

