

1878B Series

intelligent™ Electronic Lav Faucet, Battery Operated



Product Description

- Solid brass electronic faucet
- Designer Series, high arc spout
- Computer based micro controller w/specially designed infrared sensors to detect within a required distance.
- Auto shut-off - 1 minute
- Modular design to accept optional equipment
- Battery housing e/w 6V sealed polarized plug

Features

- Sealed waterproof electronics
- Vandal Proof / Tamper cycle
- Auto-focus
- Smooth flow non-splash laminar nozzle

Certification

IAPMO cUPC
ADA / ANSI Compliant

Model Choice :

1878B
1878BM
1878B-4 or 1878B-8
1878B-4M or 1878B-8M
1878B-4M2
1878B-4M3

M = MP1 mechanical mixer

4 = 4" deck plate

8 = 8" deck plate

Options

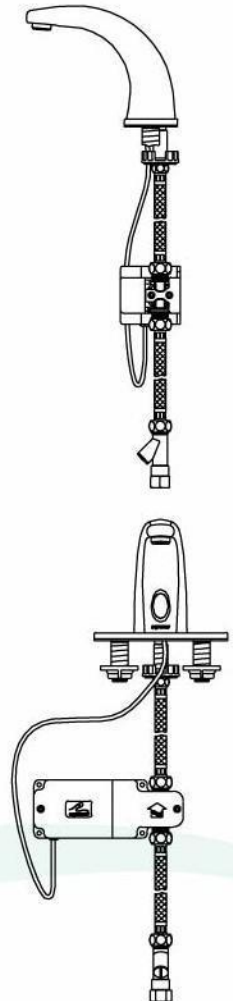
MP4 Mixer 1/2"

MP5 Mixer 3/4"

MP6 Mixer 3/8"

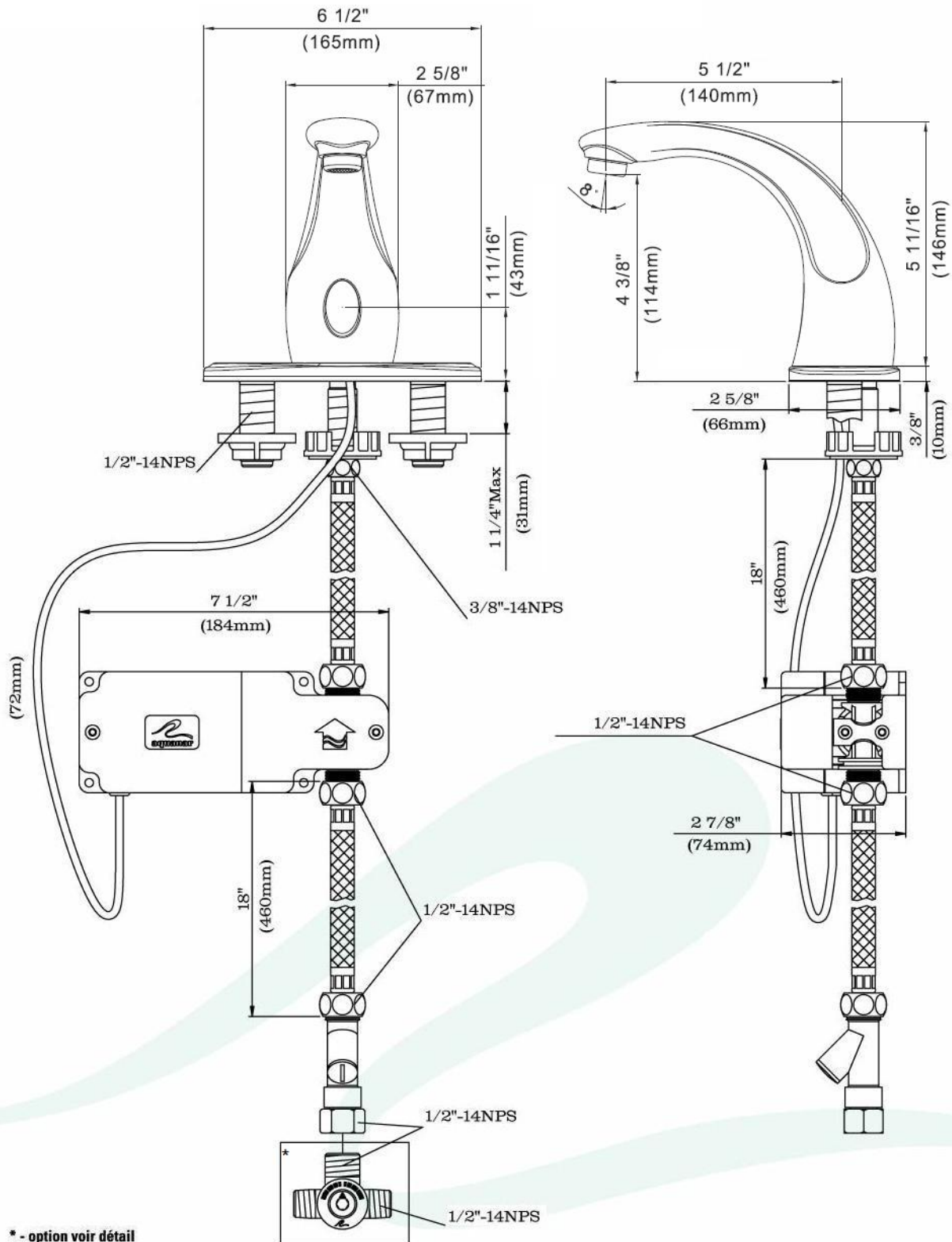
04- 114 Nozzle, vandal proof 2.2 gpm

04- 152 Nozzle, vandal proof 0.5 gpm
note; see mixer section for add info.



1878B Series

intelligent™ Electronic Lav Faucet, Battery Operated
TECHNICAL SPECIFICATIONS



1878B Series

intelligent™ Electronic Lav Faucet, Battery Operated INSTALLATION STEPS

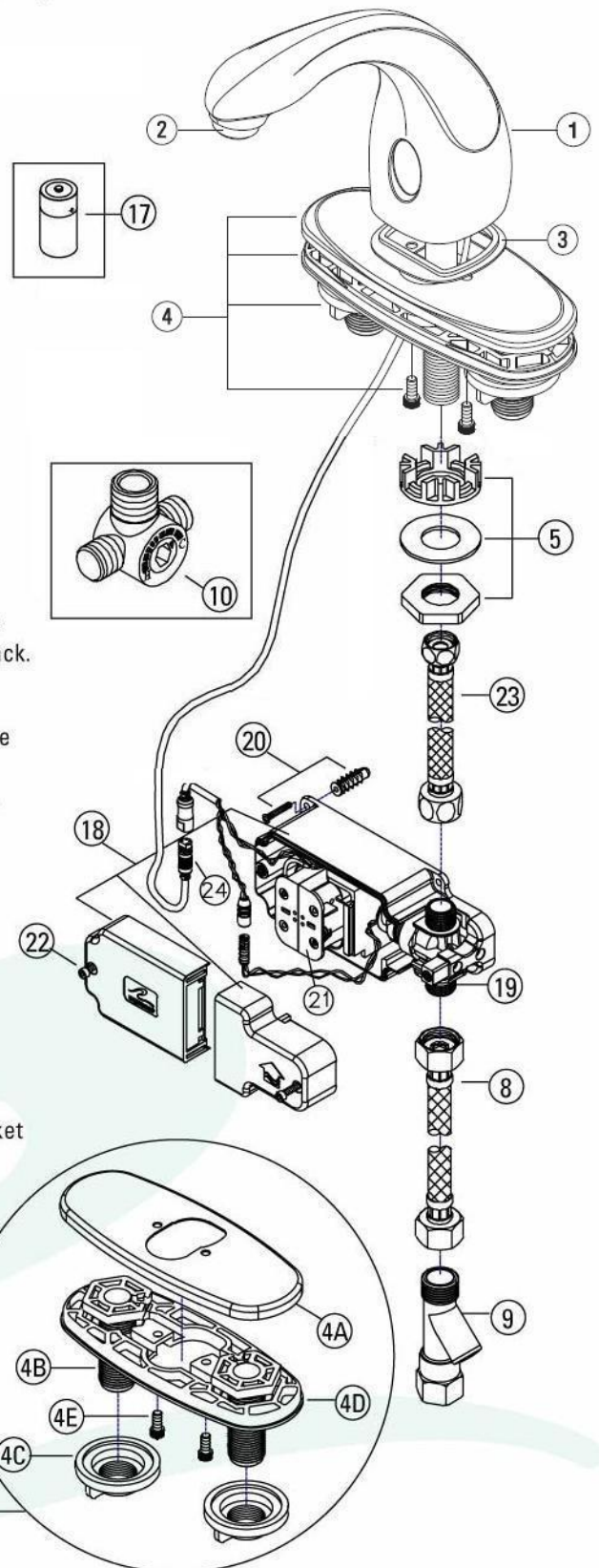
- 1 - Place the black rubber base gasket # 3 on the faucet body # 1.
- 2 - Install the faucet on the sink by passing the brass shank and electrical cable through the center hole.
- 3 - With faucet in position, slip onto the brass shank, the plastic wire washer, metal washer and brass nut # 5.
- 4 - **Note.** The plastic clearance washer is design to allow passage of the wires. Insert properly to avoid pinching cable. Position carefully the cable washer, slip up the flat washer and screw the brass nut until snug. Verify again for correct wire clearance and tighten nut as required.
- 5 - Screw on braided hose # 23 onto the faucet brass shank.
- 6 - With battery pack in hand, find suitable mounting wall location, keeping in mind the length of the connection upper braided hose # 23. Observe 'up' arrow on pack, mark and fix to the wall.
- 7 - Attach the upper braided hose # 23 to the upper outlet side of the solenoid valve. The solenoid valve is pre-mounted in the battery pack.
- 8 - Attach lower braided ss hose # 8 to the Y filter # 9.
- 9 - Connect the Y filter to a tempered water source or to the top of the 'optional' MP1 mixer.
- 10 - To connect the electrical cable to the battery pack, remove cover (left side) to expose the connector. Remove rubber grommet from pack and slip over the faucet cable. Connect the polarized 4 pin connectors together. Place the cable and grommet to the battery pack, making sure the connector is inside the pack. Replace cover with captive screw.
- 11 - Open water source and check for leaks. Place hand in front of the faucet and check for correct function.

1a For the 1870B - 4 (equipped with 4' deck plate)

Place the two threaded plastic shanks # 4B into the black gasket Base # 4D. Insert the black gasket into the chrome deck plate # 4A. With the 2 Hex Socket screws # 4E, attach the assembled deck plate to the faucet body. Install the faucet on the sink by passing the electrical cable through the center hole and the two threaded shanks through the other sink holes. Screw on the black plastic thumb nuts # 4C, carefully positioning the faucet centered in the sink, and tighten. Hand tightening will suffice.

Tools Required:

- Hex driver 5/32"
- Adjustable Wrench



1878B Series

intelligent™ Electronic Lav Faucet, Battery Operated MAINTENANCE

Aquanar products are design and engineered with precision and specially chosen components. Replacement with genuine Aquanar parts are an important factor in product performance. Non genuine parts may void warranty.

Cleaning the Solenoid valve / filter

- Close water source.
- With flat screwdriver, remove the access 'screw plug' of the 'Y' filter.
- *A small pail can hold dripping water to keep floor clean.*
- Remove barrel mesh filter. Remove debris and rinse out.

Changing Batteries

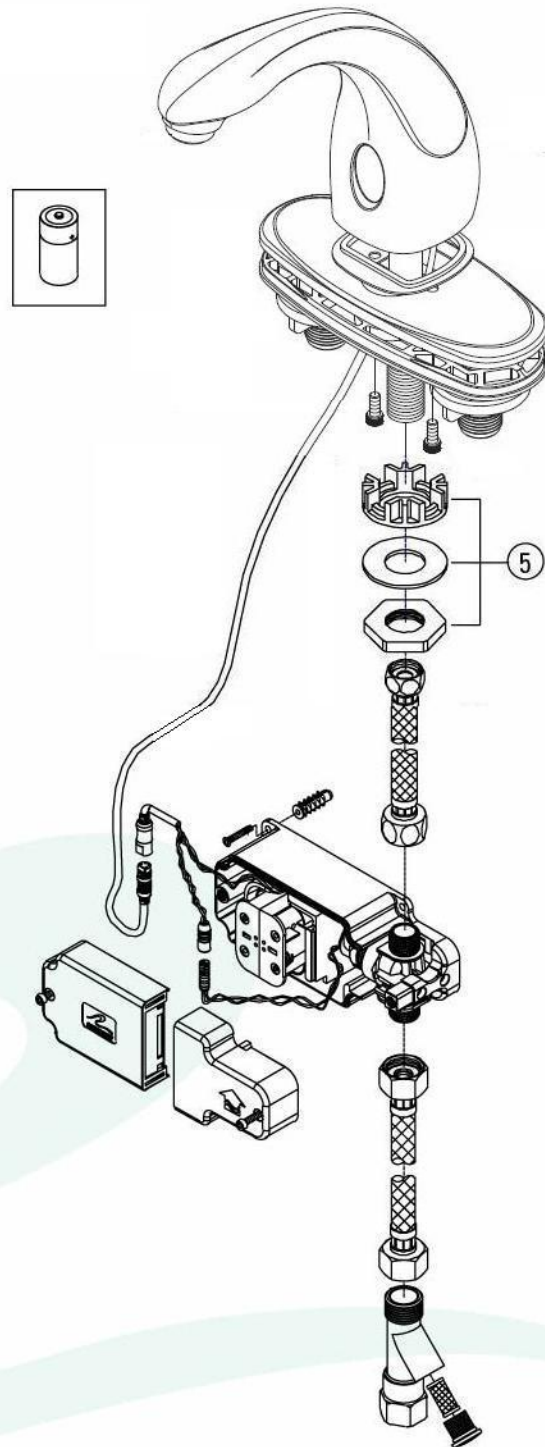
Remove the left side cover door on the battery pack (1 screw).
Pull out battery holder and replace the 4 'C' size 1.5Vdc batteries.
Re-insert the battery holder with the fresh batteries and close cover.

Product Care

Aquanar products are constructed of the highest quality materials. Although durable and robust, abrasives and harsh chemicals can damage surfaces. Clean chrome polish body and lens with a soft damp cloth. Dry with a soft towel.

Re-assembling

Reinstall the filter and o-ring sealed connector, in reverse of the above steps.



1878B Series *intelligent™* Electronic Lav Faucet, Battery Operated PARTS LIST

#	Description	Part Number
1	Solid brass body C.P.	02-154 x
2	Laminar nozzle 2.2 gpm	04-119
3	Base seal, rubber	02-087 x
4	4" plate assembly	01-103
5	Nut, Washer & Wire washer	01-088
8	Flexible hose, lower 18" 1/2" x 1/2"	04-058
9	"Y" Filter	01-027
10	Mechanical mixer	AQN-MP1
13	Wedge block	02-070
14	Mounting block with screw	01-089
17	Battery 'C' 1.5v Alky	04-082
18	Battery pack assy	01-050
19	Magnetic valve 6Vdc	04-176
20	Screws & wall Anchor Kit	08-040
21	Battery holder 'C' & cable assy	01-082
22	Screws M4 x 20 mm	08-047
23	Flexible hose, upper 8" 1/2 x 3/8	04-068
24	Electronic Module	AQN-1878B-2

