

1878 Series
intelligent™ Electronic Lav Faucet



Product Description

- Solid brass electronic faucet
- Designer Series, high arc spout
- Computer based micro controller w/specially designed infrared sensors to detect within a required distance.
- Auto shut-off - 1 minute
- Modular design to accept optional equipment
- e/w plug-in adapter 120/24vac

Features

- Sealed waterproof electronics
- Vandal Proof / Tamper cycle
- Remote control re-programmable
- Smooth flow non-splash laminar nozzle

Certification

IAPMO cUPC
 ADA / ANSI Compliant

Model Choice :

- 1878
- 1878M
- 1878-4 or 1878-8
- 1878-4M or 1878-8M
- 1878-4M2 or 1878-8M2
- 1878-4M3 or 1878-8M3

M = MP1 mechanical mixer

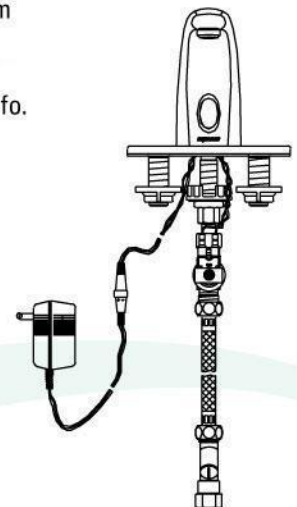
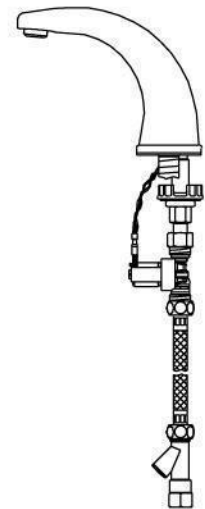
4 = 4" deck plate

8 = 8" deck plate

Options

- MP4 Mixer 1/2"
- MP6 Mixer 3/8"
- 04- 152 Nozzle, vandal proof .5 gpm

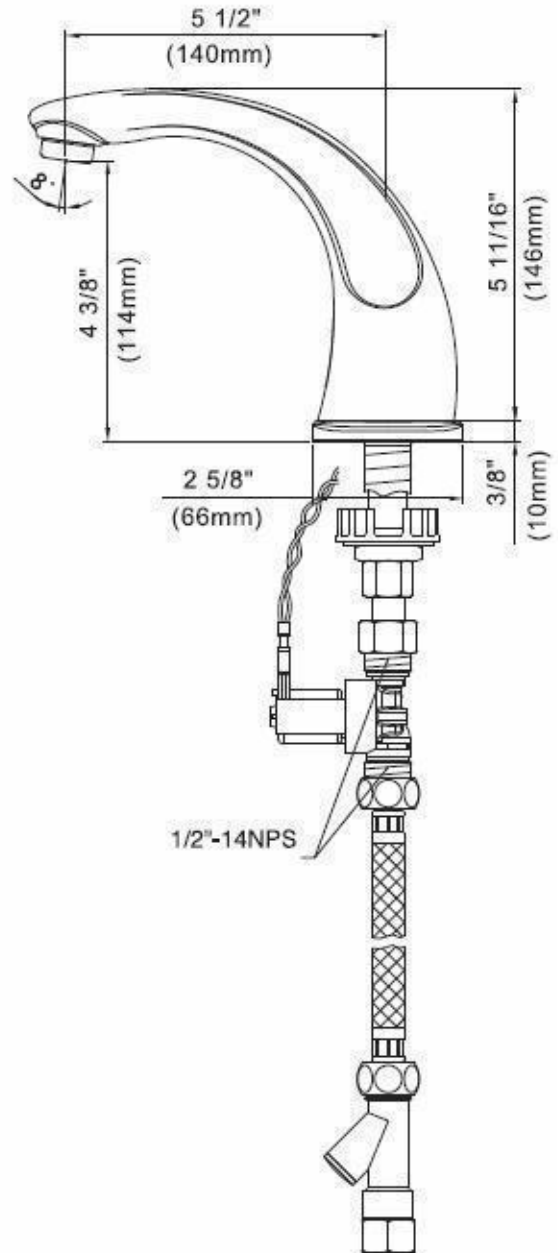
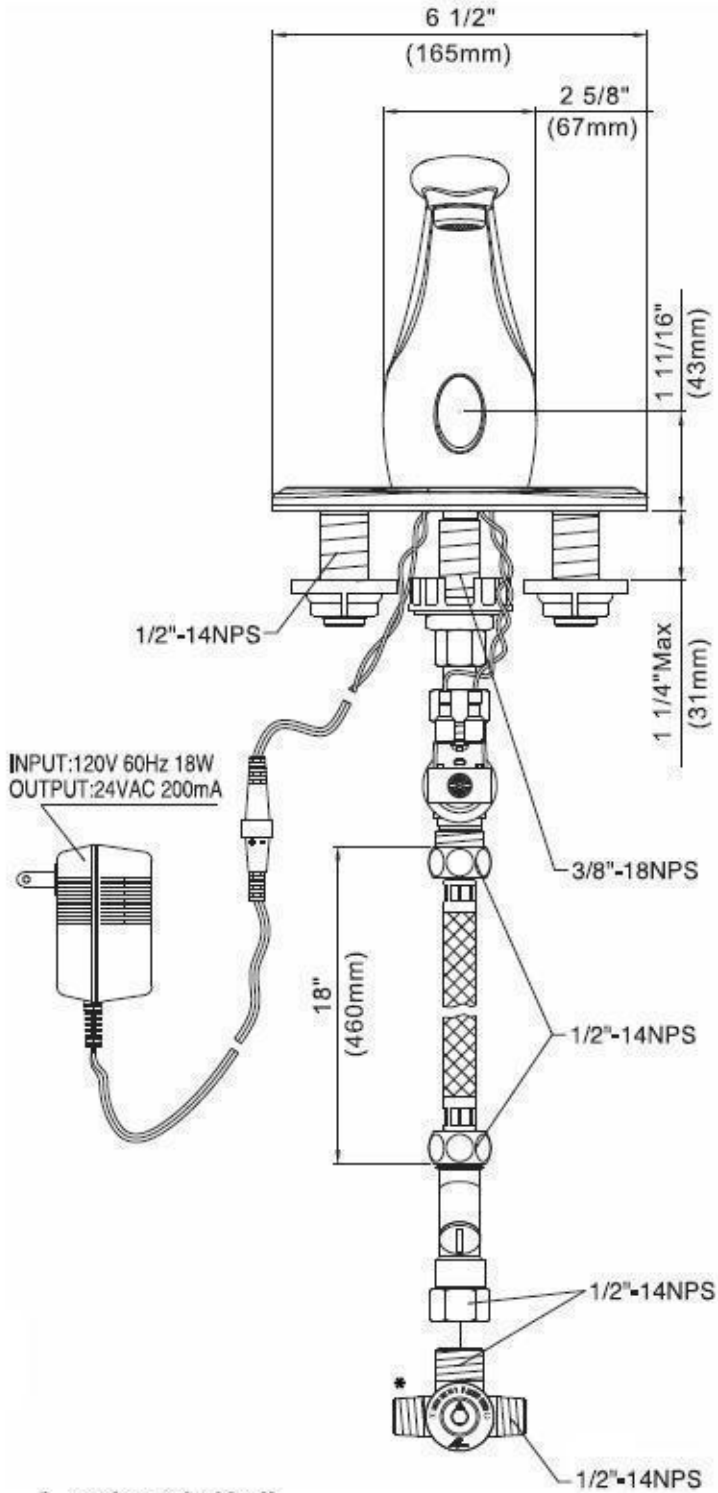
note; see mixer section for add info.



1878 Series

intelligent™ Electronic Lav Faucet

TECHNICAL SPECIFICATIONS



1878 Series intelligent™ Electronic Lav Faucet PARTS LIST

#	Description	Part Number
1	Solid brass body C.P.	02-154X
2	Laminar nozzle 2.2 gpm	04-119
3	Base seal, rubber	02-087X
4	4" plate assembly	01-049
5	Nut, Washer & Wire washer	01-088
6	Pipe assembly, taper base	01-019
7	Magnetic valve 24Vac	04-025
8	Flexible hose 18" 1/2" x 1/2"	04-058
9	"Y" Filter	01-027
10	Mechanical mixer	AQN-MP1
11	Plug in adapter 120/24Vac	04-059
12	Electronic Module	AQN-1878-2
13	Wedge block	02-070
14	Mounting block with screw	01-089

