

## 1870B-4M2 Faucet

*intelligent™* Electronic Lav Faucet e/w Above Deck Mixer, Battery Operated



### Product Description

- Solid brass electronic faucet
- Above deck Temp Mixer on 4" Plate
- Designer Series, high arc spout
- Computer based micro controller w/specially designed infrared sensors to detect within a required distance.
- Auto shut-off - 1 minute
- Modular design to accept optional equipment
- Battery housing e/w 6V sealed polarized plug.

### Features

- Temp control - Above deck mixer, cold drinking water to tempered washing.
- Sealed waterproof electronics
- Vandal Proof / Tamper cycle
- Smooth flow non-splash laminar nozzle

### Certification

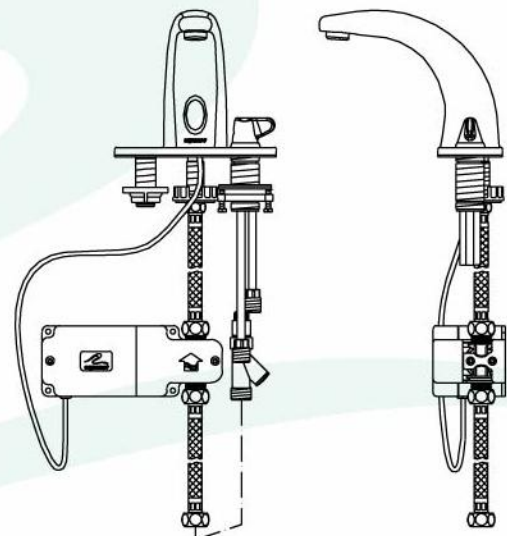
IAPMO cUPC  
ADA / ANSI Compliant

### Model Choice :

1870B-4M2	Mech. Mixer
1870B-4M3	Thermostatic Mixer

### Options

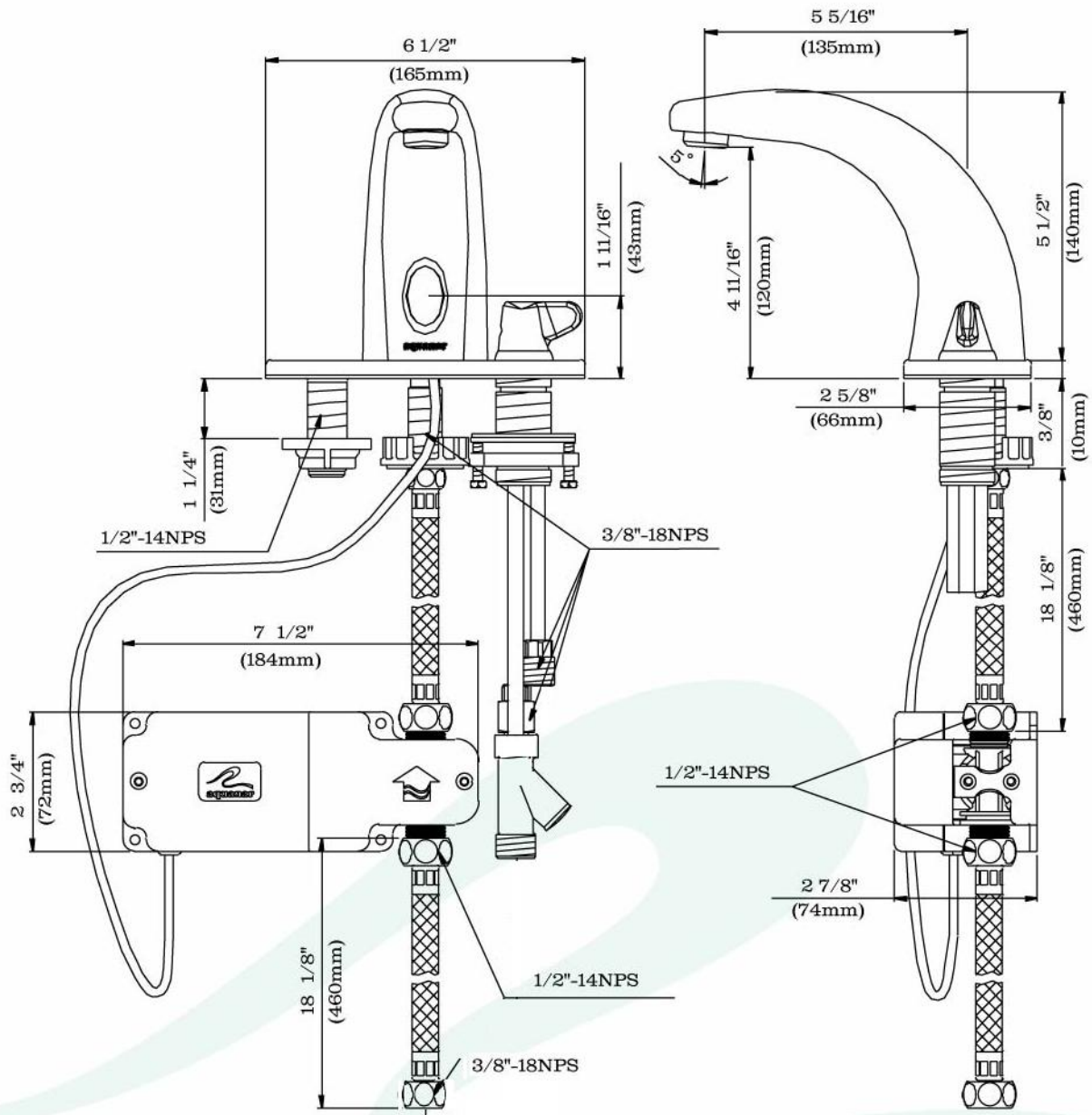
- 04- 159L Nozzle, vandal proof 1.5 gpm
  - 04- 104 Nozzle, .5 gpm
  - 04- 116 Nozzle, vandal proof 0.5 gpm
- note; options above could be indicated in the above model no.



## 1870B-4M2 Faucet

*intelligent™* Electronic Lav Faucet e/w Above Deck Mixer,  
Battery Operated

### TECHNICAL SPECIFICATIONS



## 1870B-4M2 Faucet

*intelligent™* Electronic Lav Faucet e/w Above Deck Mixer,

Battery Operated

### PRODUCT DESCRIPTION

**Function:**

The electronic module detects the presence of the user. A computer based micro-processor with specially designed infra-red sensors is programmed to detect a user within a required distance.

**Packaging:**

The entire unit is constructed of non-corrosive materials. The faucet is a solid brass body to withstand abuse and a chrome polish finish to ensure years of quality appearance. The comfort 'soft-flow' laminar nozzle highly reduces splash and is equipped with a flow regulator. The electronic module is a single compact unit with the emitter, receiver and micro-controller circuit as a one piece and sealed unit within the faucet body. There are no unnecessary separate circuits and related wiring. Simplicity at its best. There are no elector-mechanical devices (for adjustments) to hinder sealing or which may require troublesome disassembly.

The battery pack is neatly packaged to house the battery holder ( 4 x 1.5Vdc 'C' batteries ), cable assembly with polarized gold plated contacts and sealed connector of the highest quality. The pack also holds the solenoid valve e/w easy clean barrel mesh filter.

**MP2** - The faucet is equipped with a 4" deck plate, including an Above Deck water Mixer with a 'comfort grip' temperature select handle. **Feature** -The mixer is specially designed to give a range of **cold drinking water**, to a comfortable washing temperature selection, all with an easy turn of the handle.

**MP3** - This faucet is equipped with an anti-scald thermostatic mixer. **Feature** -The mixer is specially designed to give a range of **cold drinking water**, to a comfortable washing temperature selection. The comfort grip handle has a 38° safety indent and limits temp to approx 48° C.

**Technical Specifications:**

Electrical requirements:	4 x 1.5 Vdc 'C' Batteries
Electro-mechanical valve:	6 Vdc
Operating water pressure:	15 to 150 psi
M2 Mechanical Mixer Temp.	Cold to Tempered selected
M3 Thermostatic Mixer Temp.	Cold to 38° C / 48° C
Anti-scald feature / Safety indent at 38° C / back flow stops.	
Water flow rate:	1.5 gpm regulated
Water connection:	3/8" NPS

## 1870B-4M2 Faucet

*intelligent™* Electronic Lav Faucet e/w Above Deck Mixer,

Battery Operated

### FUNCTION INFORMATION

<b>A) Non-Interrupt Cycle (Run Time)</b>	<b>1 to 15 seconds</b>
<b>B) Detect Delay (Detect Time)</b>	<b>0 to 14 seconds</b>
<b>C) Cold start (Warm-Up)</b>	<b>2 to 30 seconds</b>
<b>D) Sensitivity (Detect Range)</b>	<b>level 1 to level 15 ( to 7" )</b>
<b>E) Tamper cycle</b>	<b>1 min. Auto-stop pre-set</b>

#### A) Non-Interrupt Cycle (Run Time)

The user may momentarily be out of detection range, therefore a 2 second non-interrupt cycle is factory-programmed to accommodate such absences and allow continuous water flow

*\* The non-interrupt cycle is re-programmable from 1-15 seconds.*

#### B) Detect Delay (Detect Time)

The detection delay is set at 0 second. ( Instantaneous )

*\*The detect delay cycle is re-programmable from 0-14 seconds*

#### C) Cold start (Warm-Up)

This *intelligent™* feature allows warm water to arrive at the faucet. Activate the faucet and as soon as the water flows, remove hand. The faucet runs by itself for the 6 sec. period, or an allotted time if you wish to re-program for your building application.

**NOTE :** To conserve water, the cold start cycle is automatically available only once in a 30-minute period.

*\* The cold start cycle is re-programmable from 2-30 seconds.*

#### D) Sensitivity (Detect Range)

The detection range is adjustable through re-programming and detects up to 7". Factory-programmed detection range is set at level 7.

- To increase range, re-program sensitivity from level 9 to 15. (15 for a longer range)
- To decrease range, re-program sensitivity from level 7 to 1. (1 for a shorter range)

*\* The sensitivity cycle is re-programmable from level 1 to 15.*

#### Function Feedback

Upon activation, when the faucet detects a user or object, a light appears on the detection. This confirms detection and also used in adjustments for different detections distances to accommodate various types of sinks and use.

#### E) Tamper cycle

To prevent tampering (for example, if for some reason an object is permanently placed in the detect range to simulate a user) the faucet will run, but for a maximum time of 1 minute. The tamper cycle is not adjustable.

The unit will shut off and the control will return to its regular operation only when the object is removed.



## 1870B-4M2 Faucet

*intelligent™* Electronic Lav Faucet e/w Above Deck Mixer,

Battery Operated

### MAINTENANCE

Aquanar products are design and engineered with precision and specially chosen components. Replacement with genuine Aquanar parts are an important factor in product performance. Non genuine parts may void warrenty.

#### **Cleaning the Solenoid valve / filter**

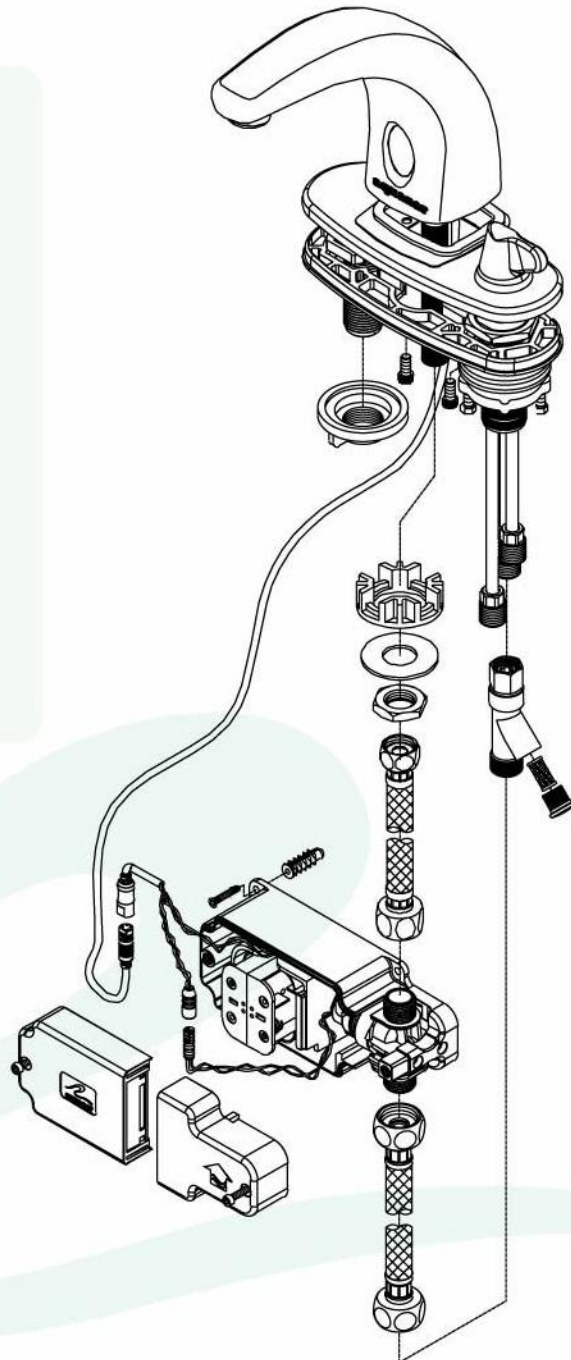
- Close water source.
- With flat screwdriver, remove the access 'screw plug' of the 'Y' filter.
- *A small pail can hold dripping water to keep floor clean.*
- Remove barrel mesh filter. Remove debris and rinse out.

#### **Product Care**

Aquanar products are constructed of the highest quality materials. although durable and robust, abrasives and harsh chemicals can damage surfaces. Clean chrome polish and lens with a soft damp cloth. Dry with a soft towel.

#### **Re-assembling**

Reinstall the filter and o-ring sealed connector, in reverse of the above steps.



# 1870B-4M2 Faucet

*intelligent™* Electronic Lav Faucet e/w Above Deck Mixer,

Battery Operated

## PARTS LIST

#	Description	Part Number
1	Solid brass body C.P.	02-154
2	Laminar nozzle 1.5 gpm	04-158L
3	Base seal, rubber	02-087
5	Nut, Washer & Wire washer	01-088
13	Wedge block	02-070
14	Mounting block with screw	01-089
15	4" plate assembly and mixer	4M2 or 4M3
16	"Y" Filter	01-081
17	Battery 'C' 1.5v Alky	04-082
18	Battery pack assy.	01-050
19	Magnetic valve 6Vdcc	04-176
20	Screws e/w wall Anchor Kit	08-040
21	Battery holder 'C' & cable assy.	01-082
22	Screw M4 x 20 mm	08-047
23	Flexible hose, upper 18" 1/2 x 3/8	04-068
24	Electronic module	AQN-1870B-2

