

2040 / 2040B

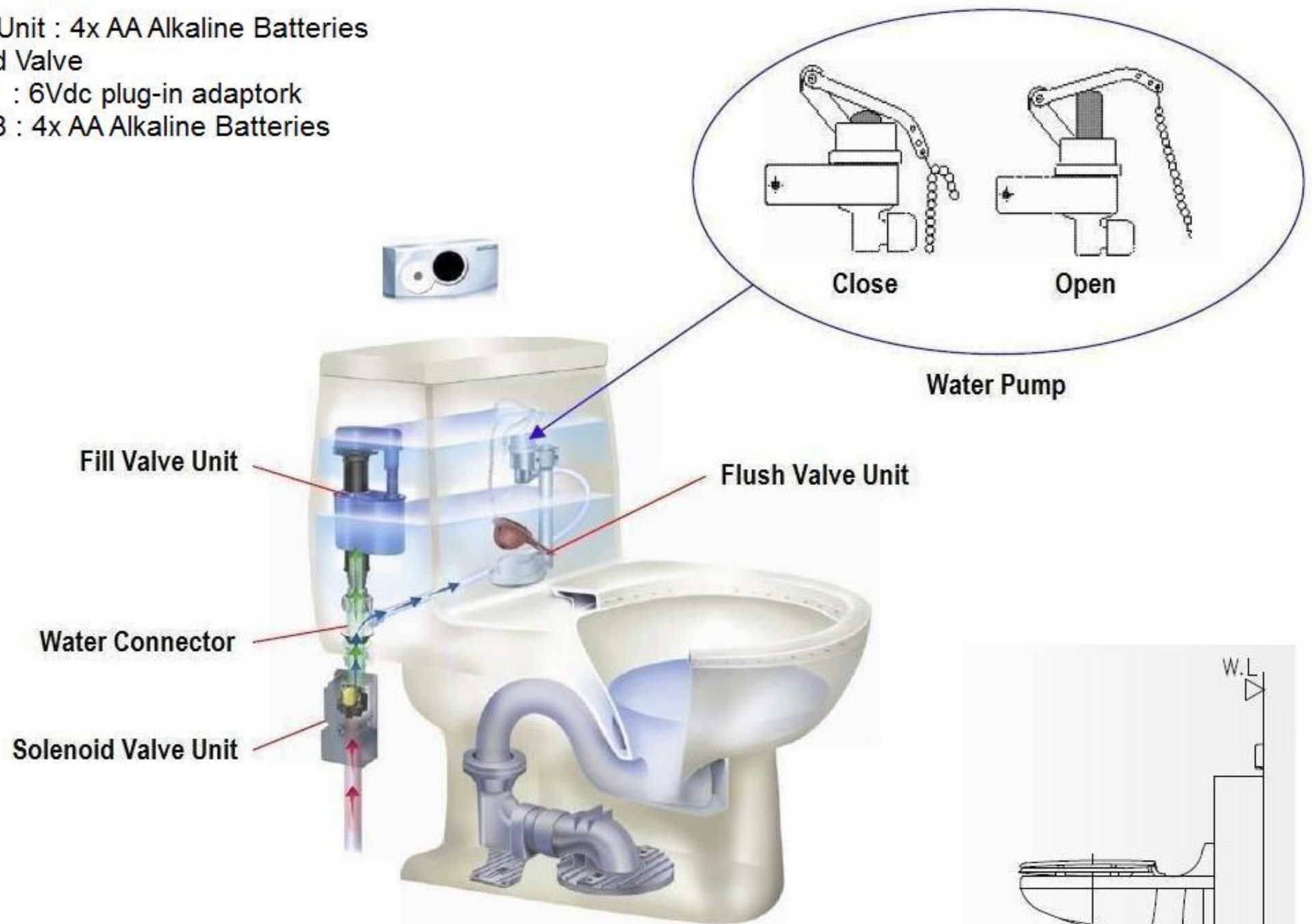
Smart Toilet

Features:

- . The infrared sensor allows hands-free flushing
- . Designed without using any electronic parts or electric wiring inside the tank
- . Easy installation and maintain

Power Supply:

- . Sensor Unit : 4x AA Alkaline Batteries
- . Solenoid Valve
- 2040 : 6Vdc plug-in adaptor
- 2040B : 4x AA Alkaline Batteries



Operation:



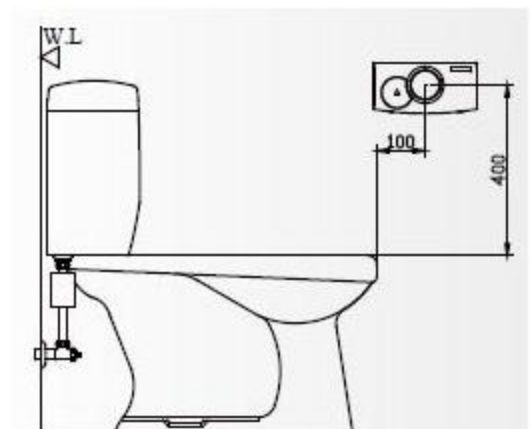
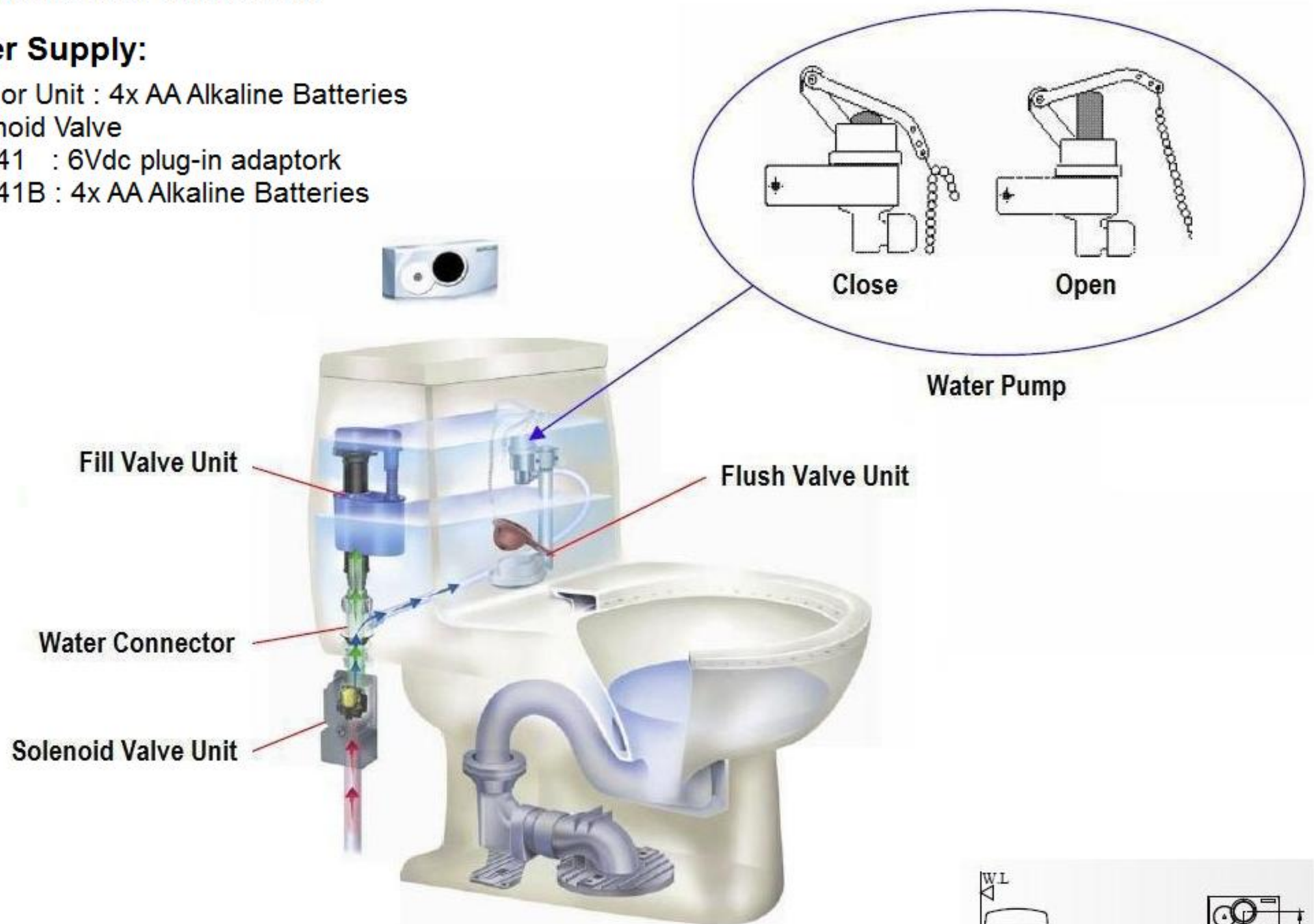
2041 / 2041B Smart Toilet

Features:

- . Infrared sensor for operation
- . Designed without using any electronic parts or electric wiring inside the tank
- . Easy installation and maintain

Power Supply:

- . Sensor Unit : 4x AA Alkaline Batteries
- . Solenoid Valve
 - 2041 : 6Vdc plug-in adaptork
 - 2041B : 4x AA Alkaline Batteries



Operation:

