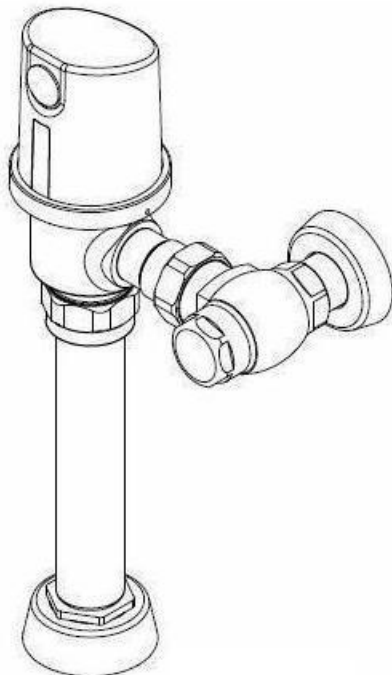


## 2031B TOILET

### intelligent™ Electronic Toilet Control, 'Retro-Fit' Style, Battery Operated



#### Product Description

- 'Retro-fit' style flusher.
- Electronic module detects the presence of the user and enters its 'stand-by' mode. The toilet flushes when the user leaves the detection area.
- Computer based micro controller w/specially designed infra red sensors to detect within a required distance.
- All non-corrosive materials.
- Auto-courtesy flush every 12 hrs.
- Battery operated 4 x AA Batteries - 6Vdc

#### Features

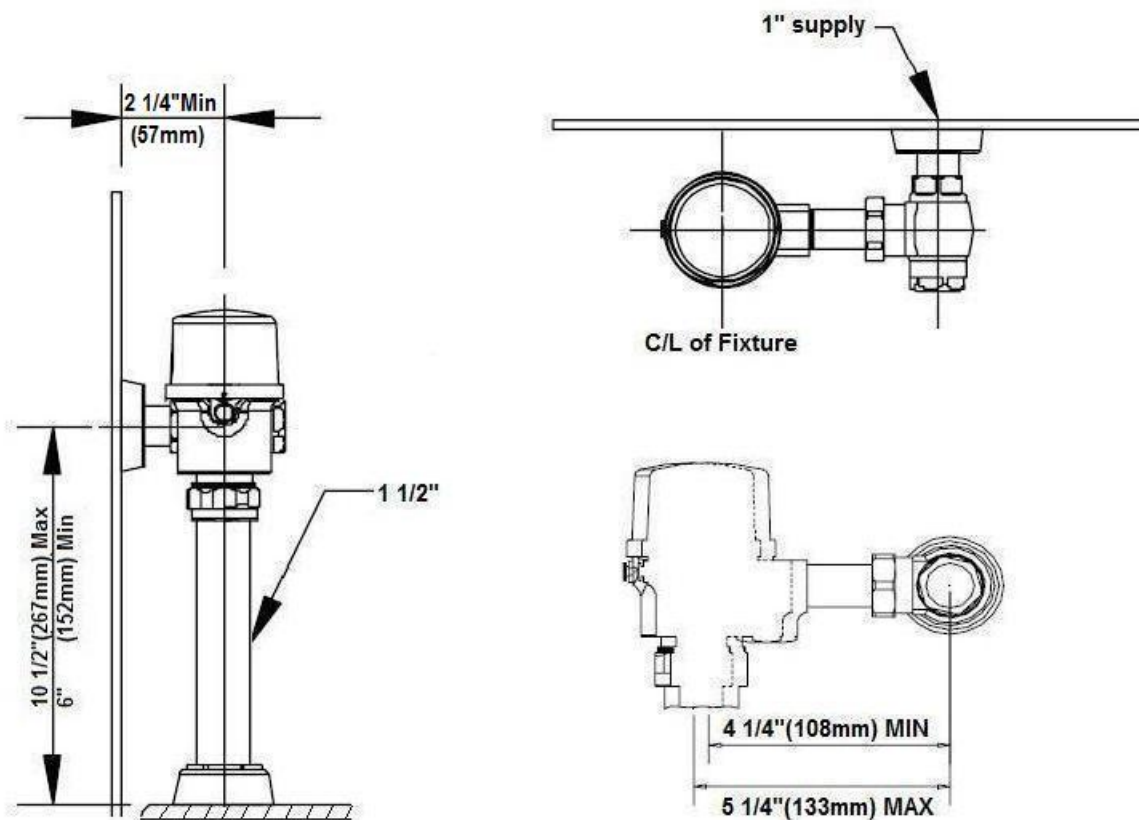
- Low maintenance vs mechanical models
- Very low water consumption
- Operates at very low water pressure
- Heavy duty cast housing
- Vandal Proof / Waterproof
- Remote control re-programmable  
Flush Time / Flush delay / Detect Range /  
Detect delay
- Manual Push Button

#### Model Choice

2031B-1	Retro-fit for Zurn/Sloan type stop valve without stop valve & vacuum breaker kit
2031B-1C	Retro-fit for Crane/Delany type stop valve without stop valve & vacuum breaker kit
2031B-1D	Retro-fit for Cambridge/Delat type stop valve without stop valve & vacuum breaker
2031B-C	Retro-fit for Crane/Delany type stop valve without stop valve, with vacuum breaker kit
2031B-D	Retro-fit for Cambridge/Delat type stop valve without stop valve, with vacuum breaker

## 2031B TOILET

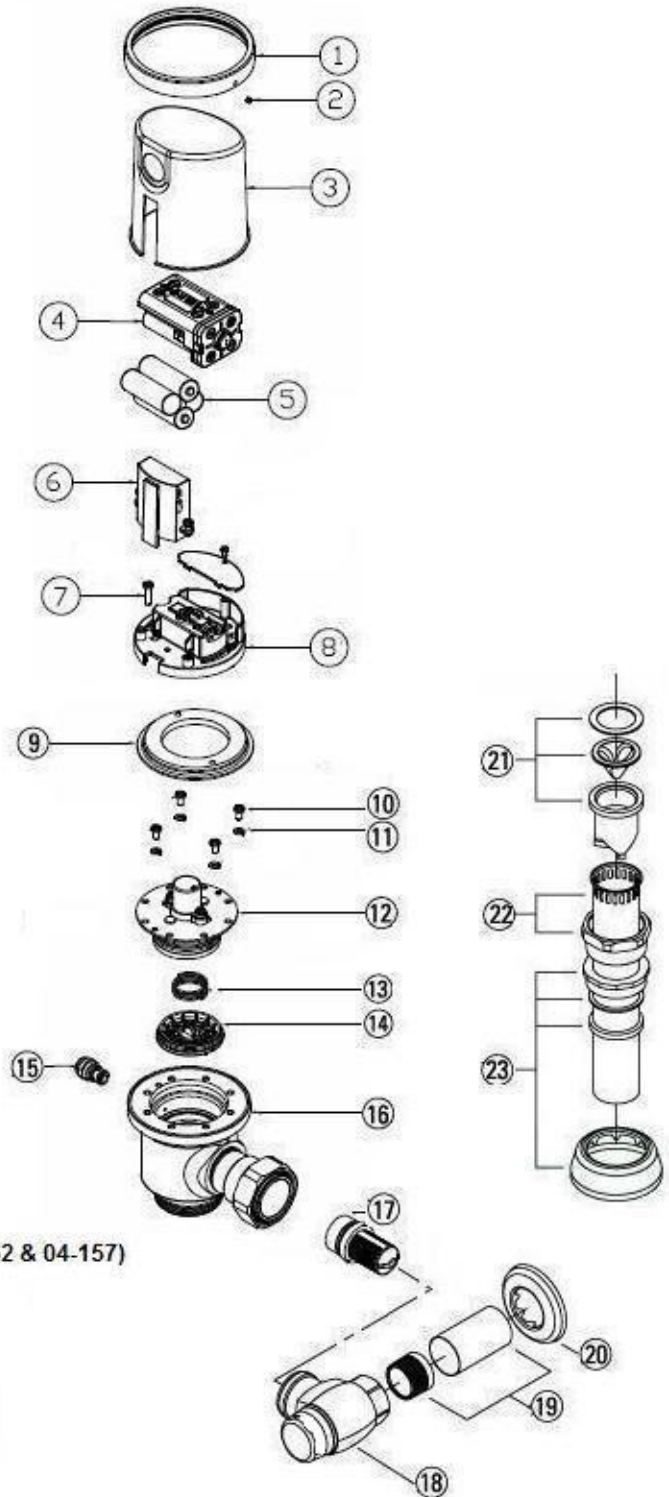
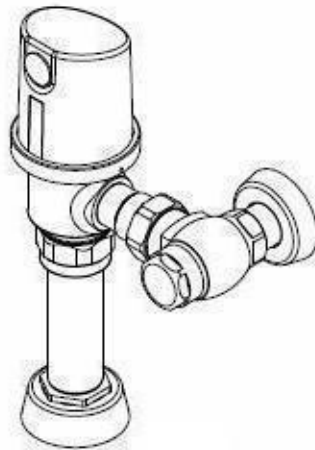
*intelligent™* Electronic Toilet Control, 'Retro-Fit' Style, Battery Operated  
TECHNICAL SPECIFICATIONS



\* Standard Vacuum Breaker (02-217) : 8-1/2"  
Option pièces d'extension: (02-210) : 24"

# 2031B TOILET

*intelligent™* Electronic Toilet Control, 'Retro-Fit' Style, Battery Operated  
PARTS LIST



#	Description	Numéro de pièce
1	Locking Ring	02-219
2	Screw	08-057
3	Top Cap	02-236
4	Battery pack	01-175
5	Battery, AA	04-096
6	Circuit assembly	AQN-2031N-2
7	Screw	08-058
8	Base, plastic	02-240
9	Rubber, seal	02-222
10	Screw	08-051
11	Screw	08-059
12	Solenoid Valve	04-172
13	Spring	02-223
14	Diaphragm assembly	04-173
15	Push Button	01-154
16	Valve Body assembly	01-155
17	Filter	01-169 (e/w 01-152 & 04-157)
18	Stop Valve	01-138
19	Sleeve pipe & sweat adaptor	01-119
20	Wall flange	04-147
21	Vacuum Breaker	01-057
22	Tube & Nut	01-120
23	Spud Nut Kit	01-121