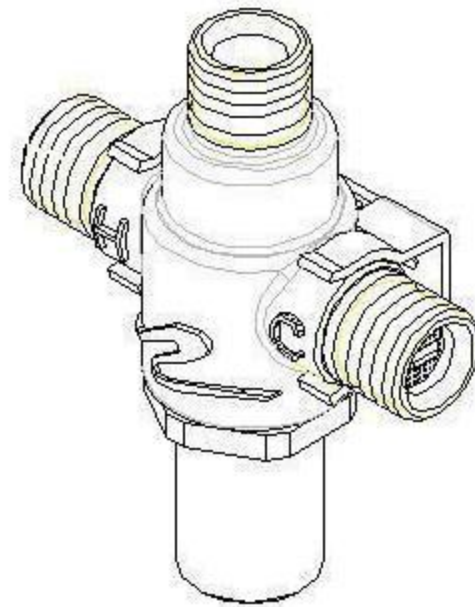


MP6

Thermostatic Valve 1/2" inlet



Description

- High performance Thermostatic Water Mixer for Commercial Applications
- Heavy Brass Construction
- Non-corrosive Materials

Cartridge:

- Wax Element
- Long life polymer construction
- 1/2 " built in Check Valves and Service Stops
- Temperature Control with Allen Key

Flow Rate

Minimum: 0.5 GPM
at 45 PSI: 3.5 GPM

Meet Standards

ASSE Standard 1016 - Temperature variation +/- 1.7°C (3°F) at flow rate 2.0GPM to 10.0GPM
ASME/ANSI A112.18.1

MP6 Thermostatic Valve 1/2" inlet

Detailed Description

Max. Operating Pressure:	125 PSI
Recommended Flow Pressure:	12-75 PSI
Test Pressure:	500 PSI
Max. Hot Water Temperature:	80°C (176°F)
Max. Outlet Temperature	49°C (120°F)
Adjustable Safety Stop:	Recommended Setting: 38°C (100°F)
Hot Water differential from mixed water:	Plus 2°C (3.6°F)
Hot Water Marks:	H
Cold Water Marks:	C
Maximum Flow Rate:	3.5 GPM @ 45 PSI
Minimum Flow Rate:	0.5 GPM
Temperature variation	+/- 1.7°C (3°F) at flow rate 0.5GPM to 3.5GPM
Body Configuration:	See Overview Drawing
Top and Bottom outlets	

Technical Specifications

