

## QS80.044 Shower Head

### Product Description

- High luster chrome polish finish
- Designer series
- Vandal resistant

### Characteristics

- Heavy cast solid brass
- Inlet 1/2" – 14NPT
- Anti-scaling spray head
- 'AquanOval' spray pattern
- Selectable flow / 1.5 – 2.5 gpm

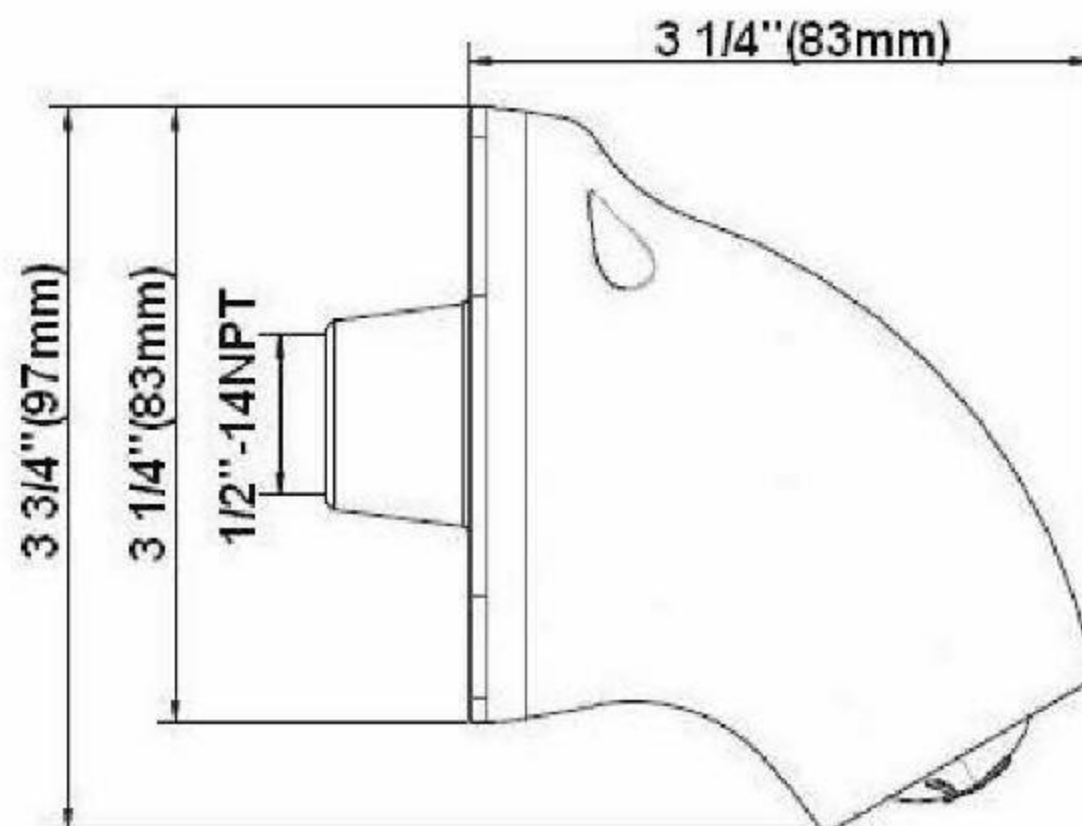


### Certification

CSA B.125  
ADA / ANSI Compliant

### Model Choice

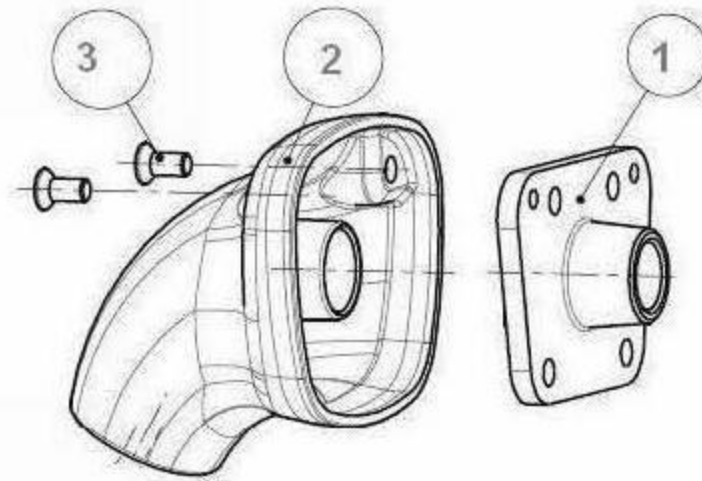
QS80.044      Solid brass shower head



## QS 80.044 Shower Head *intelligent™* Accessories INSTALLATION STEPS

### QS80.044

- 1- Install Wall mount base #1 to wall and connect to water entry piping
2. Slip shower head #2 onto the wall mount base #1 and secure with screw #3



#### Tools Required:

- Hex Key
- Adjustable Wrench
- Phillips screwdriver

