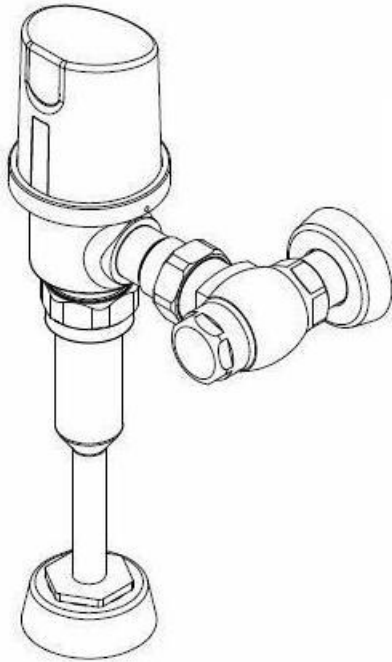


2131B URINAL

intelligent™ Electronic Urinal Control, 'Retro-Fit' Style, Battery Operated



Product Description

- 'Retro-fit' style flusher.
- Electronic module detects the presence of the user and enters its 'stand-by' mode. The urinal flushes when the user leaves the detection area.
- Computer based micro controller w/specially designed infra red sensors to detect within a required distance.
- All non-corrosive materials.
- Auto-courtesy flush every 24 hrs.
- Battery operated 4 x AA Batteries - 6Vdc

Features

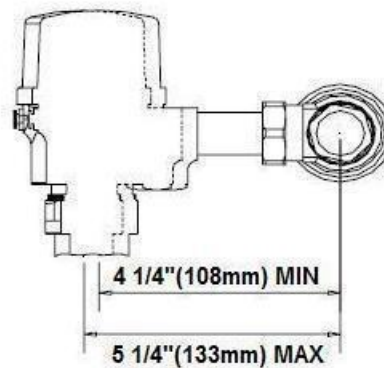
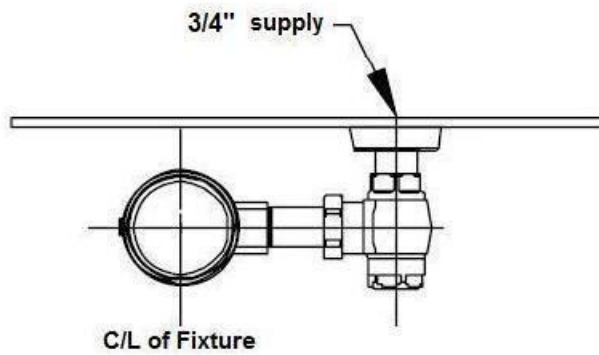
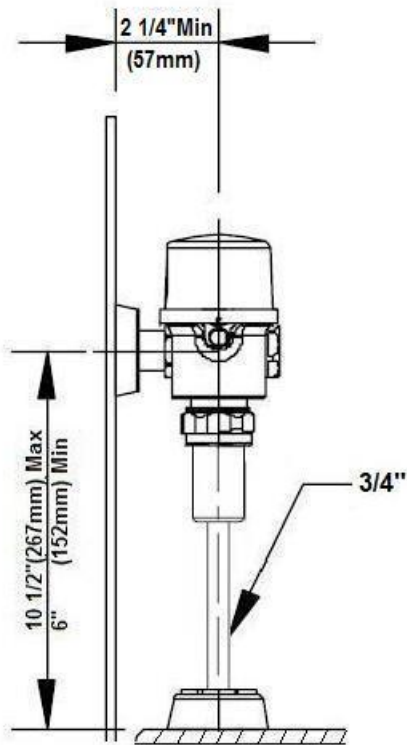
- Low maintenance vs mechanical models
- Very low water consumption
- Operates at very low water pressure
- Heavy duty cast housing
- Vandal Proof / Waterproof
- Remote control re-programmable
Flush Time / Flush delay / Detect Range /
Detect Frequency / Detect delay
- Manual Push Button

Model Choice

2131B-1	Retro-fit for Zurn/Sloan type stop valve
2131B-1C	Retro-fit for Crane/Delany type stop valve
2131B-1D	Retro-fit for Cambridge/Delta type stop valve

2131B URINAL

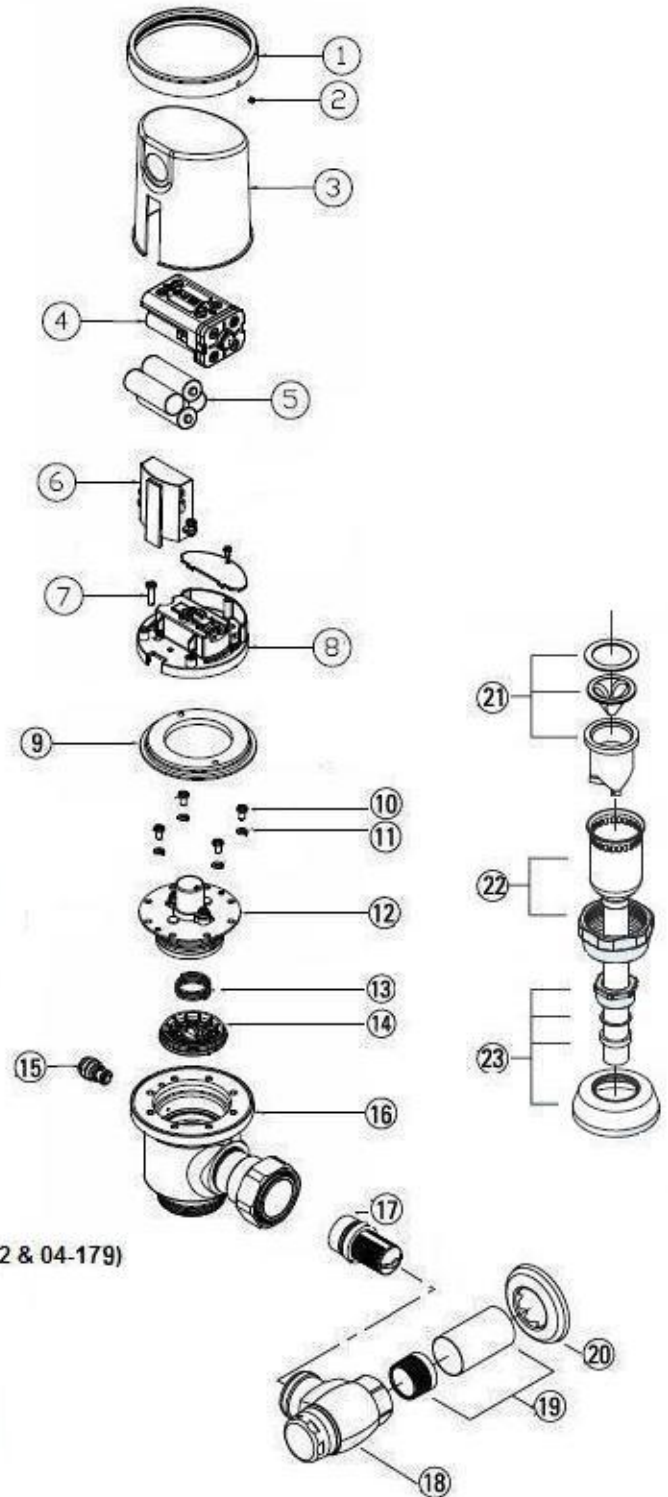
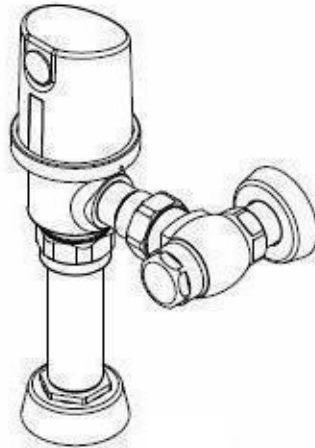
intelligent™ Electronic Urinal Control, 'Retro-Fit' Style, Battery Operated
TECHNICAL SPECIFICATIONS



* Standard Vacuum Breaker (01-058) : 8 1/2"
Option pièces d'extension: (02-230) : 24"

2131B URINAL

intelligent™ Electronic Urinal Control, 'Retro-Fit' Style, Battery Operated
PARTS LIST



#	Description	Numéro de pièce
1	Locking Ring	02-219
2	Screw	08-057
3	Top Cap	02-236
4	Battery pack	01-175
5	Battery, AA	04-096
6	Circuit assembly	AQN-2131N-2
7	Screw	08-058
8	Base, plastic	02-240
9	Rubber, seal	02-222
10	Screw	08-051
11	Screw	08-059
12	Solenoid Valve	04-172
13	Spring	02-223
14	Diaphragm assembly	04-173
15	Push Button	01-154
16	Valve Body assembly	01-155
17	Filter	01-170 (e/w 01-152 & 04-179)
18	Stop Valve	01-055
19	Sleeve pipe & sweat adaptor	01-056
20	Wall flange	04-146
21	Vacuum Breaker	01-057
22	Tube & Nut	01-058
23	Spud Nut Kit	01-059