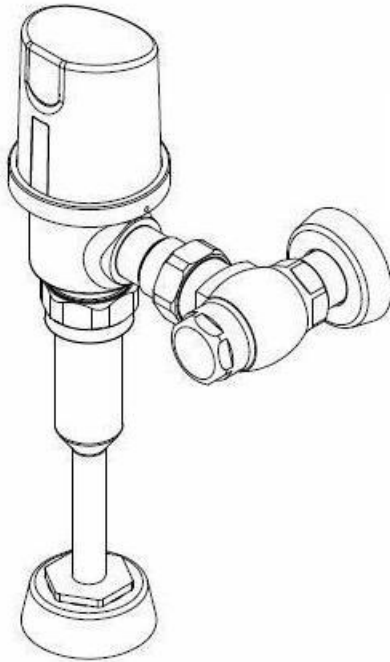


2131 URINAL

intelligent™ Electronic Urinal Control, 'Retro-Fit' Style



Product Description

- 'Retro-fit' style flusher.
- Electronic module detects the presence of the user and enters its 'stand-by' mode. The urinal flushes when the user leaves the detection area.
- Computer based micro controller w/specially designed infra red sensors to detect within a required distance.
- All non-corrosive materials.
- Auto-courtesy flush every 24 hrs.
- Operated - 6Vdc

Features

- Low maintenance vs mechanical models
- Very low water consumption
- Operates at very low water pressure
- Heavy duty cast housing
- Vandal Proof / Waterproof
- Remote control re-programmable
Flush Time / Flush delay / Detect Range /
Detect Frequency / Detect delay
- **Manual Push Button**

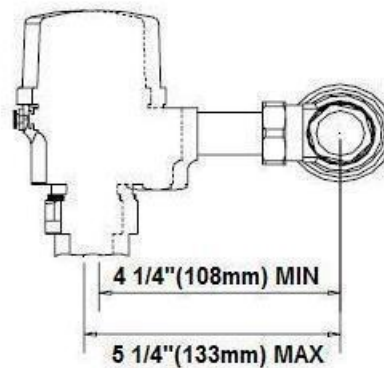
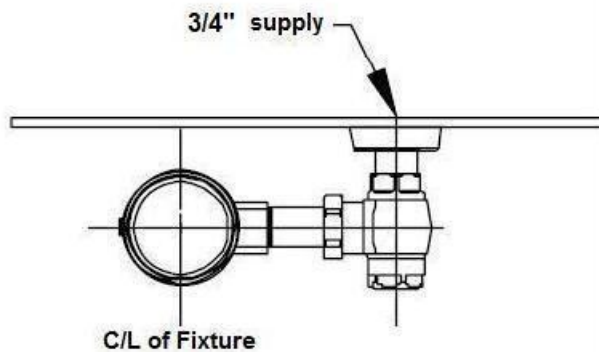
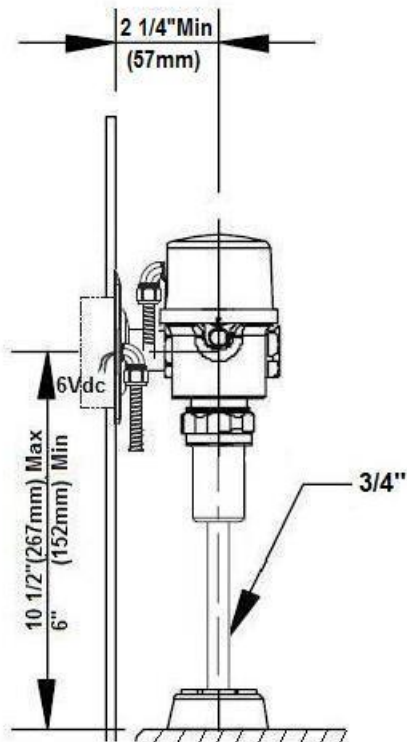
Model Choice

| | |
|----------|---|
| 2131-ST | e/w straight connection |
| 2131 -1 | Retro-fit for Zurn/Sloan type stop valve |
| 2131 -1C | Retro-fit for Crane/Delany type stop valve |
| 2131 -1D | Retro-fit for Cambridge/Delta type stop valve |

2131 URINAL

intelligent™ Electronic Urinal Control, 'Retro-Fit' Style

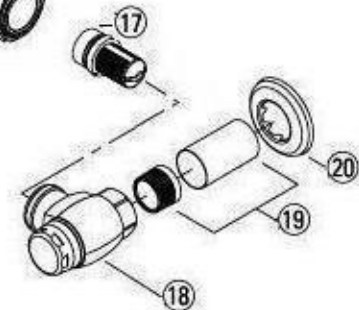
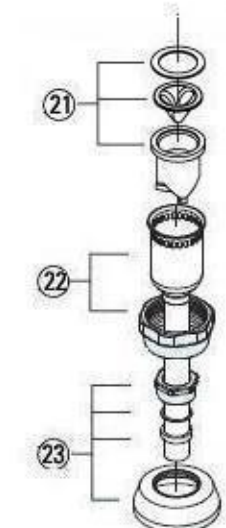
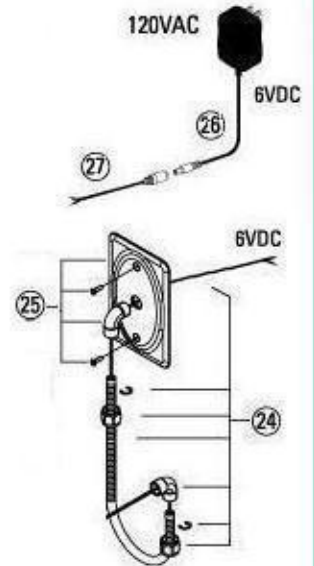
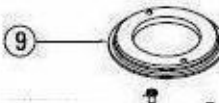
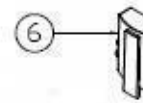
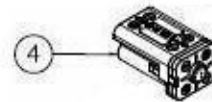
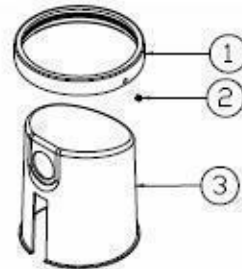
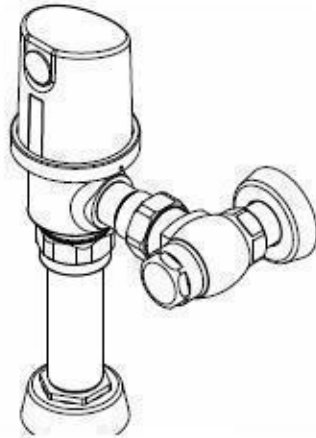
TECHNICAL SPECIFICATIONS



* Standard Vacuum Breaker (01-058) : 8 1/2"
Option pièces d'extension: (02-230) : 24"

2131 URINAL

intelligent™ Electronic Urinal Control, 'Retro-Fit' Style
PARTS LIST



| # | Description | Part Number |
|----|-----------------------------|------------------------------|
| 1 | Locking Ring | 02-219 |
| 2 | Screw | 08-057 |
| 3 | Top Cap | 02-237 |
| 4 | Box | 01-176 |
| 6 | Circuit assembly | AQN-2131N-2 |
| 7 | Screw | 08-058 |
| 8 | Base, Plastic | 02-240 |
| 9 | Rubber, seal | 02-222 |
| 10 | Screw | 08-051 |
| 11 | Screw | 08-059 |
| 12 | Solenoid Valve | 04-172 |
| 13 | Spring | 02-223 |
| 14 | Diaphragm assembly | 04-173 |
| 15 | Push Button | 01-154 |
| 16 | Valve Body assembly | 01-155 |
| 17 | Filter | 01-170 (e/w 01-152 & 04-179) |
| 18 | Stop Valve | 01-055 |
| 19 | Sleeve pipe & sweat adaptor | 01-056 |
| 20 | Wall flange | 04-146 |
| 21 | Vacuum Breaker | 01-057 |
| 22 | Tube & Nut | 01-058 |
| 23 | Spud Nut Kit | 01-059 |
| 24 | Wire Jacket, Vandal Proof | 01-053 (e/w 04-185 & 02-241) |
| 25 | Wall Plate | 01-052 |
| 26 | Power Switch 6VDC | 04-134 |
| 27 | Wire | 04-141 |

2131 URINAL - *intelligent™* Electronic Urinal Control, 'Retro-Fit' Style INSTALLATION STEPS

ENTRY VALVE

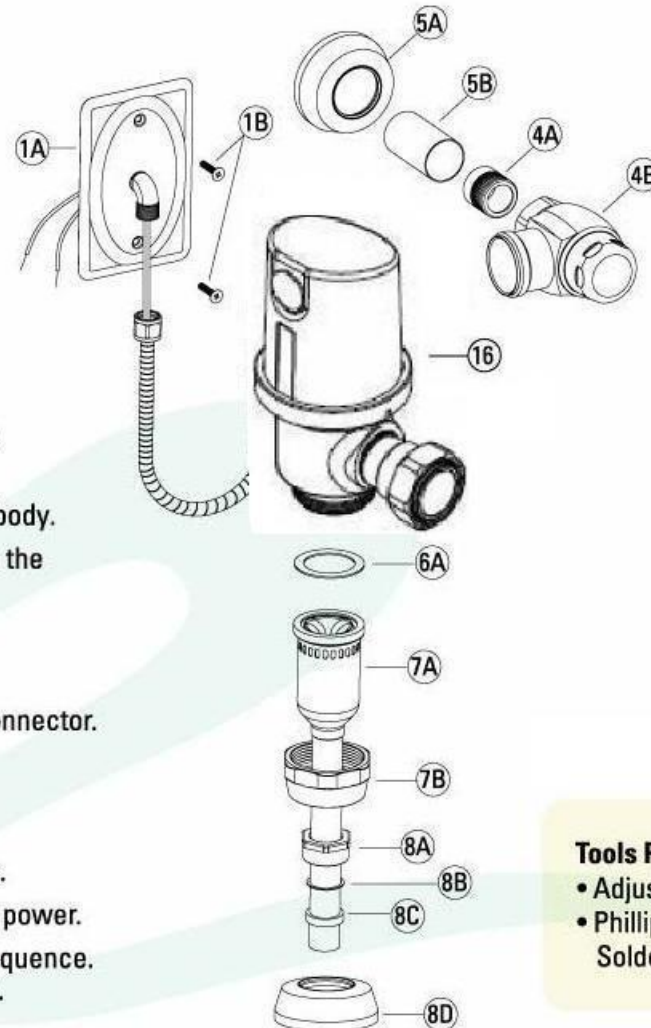
- 1 - Solder the brass collar # 4A to water source at correct wall position.
- 2 - Insert the chrome collar # 5B and wall flange # 5A.
- 3 - Connect the chrome stop valve # 4B to the brass collar # 4A.
- 4 - Open water source and purge waterways.

MAIN BODY AND VACUUM BREAKER

- 5 - Assemble # 8 on the vacuum breaker body # 7. The vacuum breaker tube length has to be cut to proper height.
- 6 - Slip on the spud gasket chrome flange #8D, seals and chrome nut #8A.
- 7 - On vacuum breaker, place gasket #6A and screw to the main body.
- 8 - Align the main body water entry connection, insert and screw the large chrome nut to the stop valve # 4B. Tighten accordingly.
- 9 - Connect the vacuum breaker base nut #7B.

ELECTRICAL CONNECTIONS

- 10 - Pass the electrical wires through the Wall Plate #1A elbow connector. Screw in the chrome nut from the vandal proof cable.
- 11 - Attach the two 6 Vdc wires with the wire twists supplied. No polarity required.
- 12 - Attach Wall Plate # 1A to electrical box with two # 1B screws.
- 13 - Apply current to the transformer to obtain the required 24Vac power.
- 14 - Place hand in front of the detection lens to begin detection sequence. After the allotted time, remove hand to operate the flush cycle.



Tools Required:

- Adjustable Wrench
- Phillips screwdriver
- Soldering Tools