

2123B URINAL

intelligent™ Electronic Urinal Control, 'Retro-Fit' Style, Battery Operated



Product Description

- 'Retro-fit' style flusher.
- Electronic module detects the presence of the user and enters its 'stand-by' mode. The urinal flushes when the user leaves the detection area.
- Computer based micro controller w/specially designed infra red sensors to detect within a required distance.
- All non-corrosive materials.
- Auto-courtesy flush every 24 hrs.
- Battery operated 'AA' - 6Vdc

Features

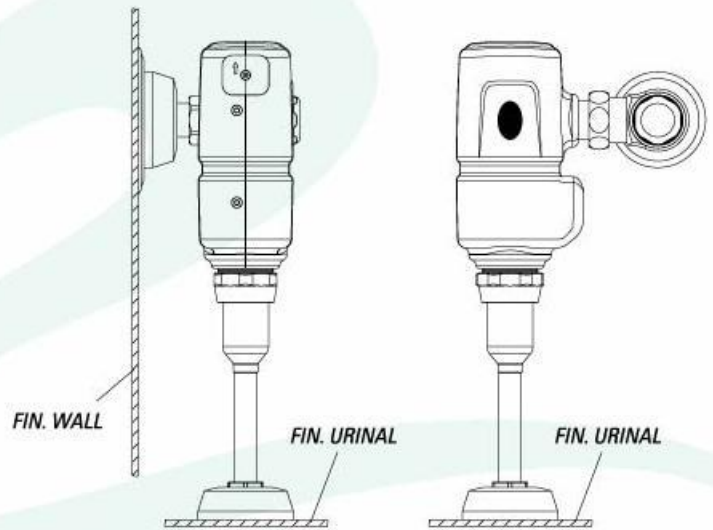
- Low maintenance vs mechanical models
- Very low water consumption
- Operates at very low water pressure
- Heavy duty cast housing
- Vandal Proof / Waterproof
- Remote control re-programmable
Flush Time / Flush delay / Detect Range /
Detect Frequency / Detect delay

Certification

IAPMO cUPC
ADA / ANSI

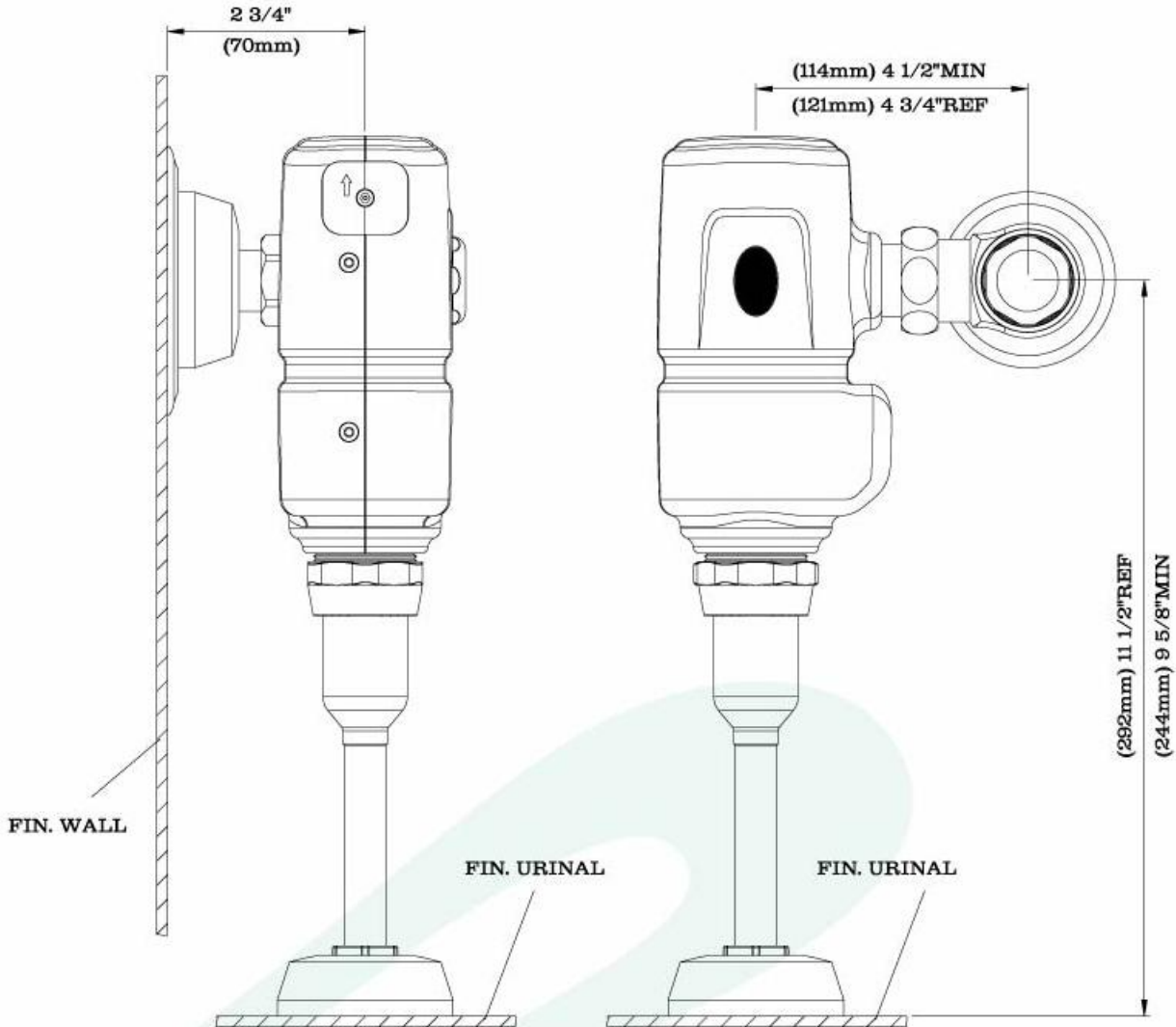
Model Choice :

2123B
2123B-1 Body only, no V. B., stop valve



2123B URINAL

intelligent™ Electronic Urinal Control, 'Retro-Fit' Style, Battery Operated
TECHNICAL SPECIFICATIONS



2123B URINAL

intelligent™ Electronic Urinal Control, 'Retro-Fit' Style, Battery Operated PRODUCT DESCRIPTION

Function:

The electronic module detects the presence of the user and sets the circuit on stand-by mode (non-flushing). The computer based micro-processor with specially designed sensors is programmed to detect the presence of a user within a pre-determined distance and time to eliminate unnecessary flushing. After usage, the circuit detects the absence of the user and flushes automatically. The duration of flushing action and operating cycles are adjustable. Also, if the flush cycle is in operation and a user presents himself, the unit will automatically stop to eliminate unwanted splashing of water.

Packaging:

The entire unit is constructed of solid brass waterways. The water entry is the conventional 3/4" connection as standard on most mechanically activated flush systems. The long life solenoid valve is protected by an easy to reach in-line tubular mesh screen filter. The electronic module is totally sealed & waterproof and mounted within the chrome polish, heavy cast housing. The front portion of the housing is removable for access to the solenoid valve, filter, and electronic circuit without disturbing any of the waterway functions. The well designed housing is both aesthetically appealing and easy to clean.

Adjustments:

Adjustments are pre-set by the factory for normal usage; re-programming the control unit to suit special conditions is possible with an optional remote reprogrammer module. This user friendly module permits easy function changes (without dismantling the unit) in the distance and time cycles, for example:

Detect Delay (Acknowledgment)	0 to 14 seconds
Flush Delay	2 seconds
Sensitivity (Detect Range)	6 to 24 inches
** Auto courtesy flush	24 hrs. after last use

Technical Specifications:

Electrical requirements	6 VDC, 4 x 'AA' batteries
Flush Cycle Duration	1 to 15 seconds
Electro-mechanical Valve	Latching Coil 6 VDC
Operating Water Pressure	15 to 150 psi
Water Connection	3/4" copper

2123B URINAL

intelligent™ Electronic Urinal Control, 'Retro-Fit' Style, Battery Operated FUNCTION INFORMATION

A) Flush Time (Run Time)	1 to 15 seconds
B) Detect Delay (Detect Time)	0 to 14 seconds
C) Flush Delay	2 seconds
D) Sensitivity (Detect Range)	1 to 15 level

A) Flush Time (Run Time)

The water flush time cycle is normally set to 6 seconds.

*** This flush cycle is re-programmable from 1 to 15 seconds (a 1/2 to 1 second longer delay is due to the "slow close" feature the water valve has to prevent water hammer effects).*

B) Detect Delay (Detect Time)

The detection delay is set at 6 seconds. This is to prevent unwanted starts by passers-by in close quarters.

*** The delay is re-programmable from 0 to 14 seconds.*

C) Flush Delay

The flush delay is usually set at 2 seconds. This allows the user to step back or leave before the flush cycle operates and prevents unwanted splash on the user.

D) Detection Range, Sensitivity

The detection range is adjustable through re-programming and detects between 6 to 24".

Factory programmed detection range is set at sensitivity level 8.

- To increase range, re-program sensitivity from level 9 to 15. (15 for a longer range)
- To decrease range, re-program sensitivity from level 7 to 1. (1 for a shorter range)

** The sensitivity cycle is re-programmable from level 1 to 15.*

2123B URINAL - *intelligent*[™] Electronic Urinal Control, 'Retro-Fit' Style, Battery Operated

INSTALLATION STEPS

ENTRY VALVE

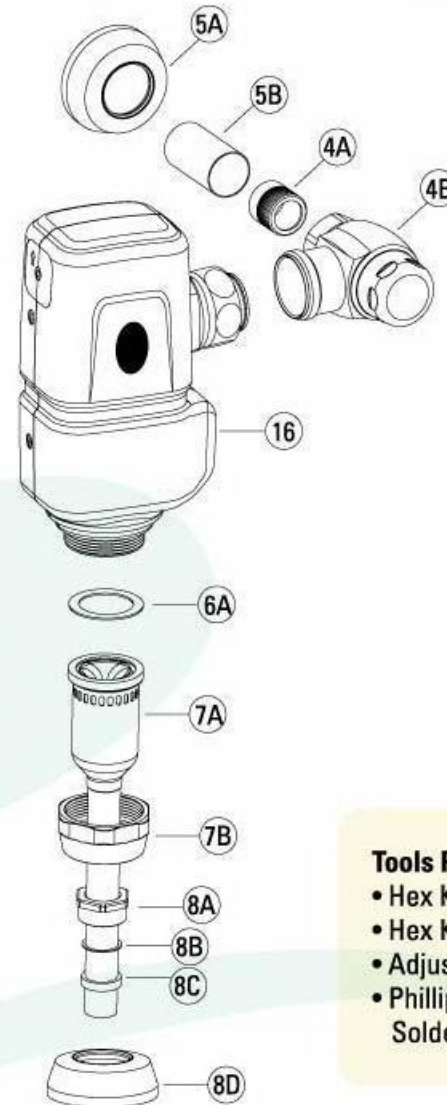
- 1 - Solder the brass collar # 4A to water source at correct wall position.
- 2 - Insert the chrome collar # 5B and wall flange # 5A.
- 3 - Connect the chrome stop valve # 4B to the brass collar # 4A.
- 4 - Open water source and purge waterways.

MAIN BODY AND VACUUM BREAKER

- 5 - Assemble # 8 on the vacuum breaker body # 7.
The vacuum breaker tube length has to be cut to proper height.
- 6 - Slip on the spud gasket chrome flange #8D, seals and chrome nut #8A.
- 7 - On vacuum breaker, place gasket #6A and screw to the main body.
- 8 - Align the main body water entry connection, insert and screw the large chrome nut to the stop valve # 4B. Tighten accordingly.
- 9 - Connect the vacuum breaker base nut #7B.

BATTERY CONNECTION

- 10 - With the supplied 4.0 mm hex key, open the door to the battery snap pack by turning the key in a counter clockwise direction and push battery door inward and release to pop out.
- 11 - Pull the snap pack out of the body and install the batteries as indicated on the snap pack.
- 12 - Push the snap pack back into the body and lock it by turning the hex key in a clockwise direction.
- 13 - Place hand in front of the detection lens to begin detection sequence.
After the allotted time, remove hand to operate the flush cycle.



Tools Required:

- Hex Key, 2.5mm(supplied)
- Hex Key, 5.0mm(supplied)
- Adjustable Wrench
- Phillips screwdriver
- Soldering Tools

2123B URINAL - *intelligent*™ Electronic Urinal Control, 'Retro-Fit' Style, Battery Operated MAINTENANCE

Aquanar products are design and engineered with precision and specially chosen components. Replacement with genuine Aquanar parts are an important factor in product performance. Non genuine parts may void warrenty.

Maintenance

- Remove front cover. (4 hex screws, on sides)
- Disconnect electrical tabs on the solenoid valve and power wires.
- Check carefully that corrosion did not form on connections. If corrosion or wire damage is present, repair accordingly.

Cleaning the Solenoid valve / filter

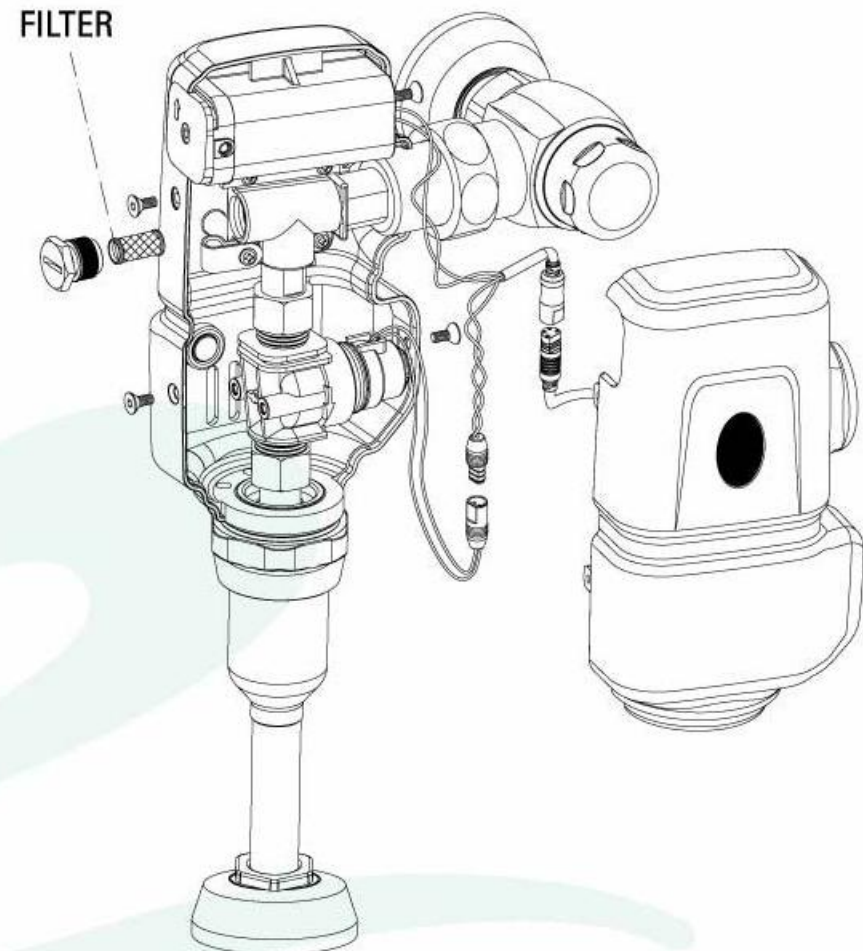
- Close water source at water inlet valve. With flat screwdriver, remove the filter plug and check if filter is clear of debris.
- Remove the solenoid valve by unplugging the special sealed 2 pin 'D' connector.
- Clean and rinse with warm water. Dry and reassemble.

Product Care

Aquanar products are constructed of the highest quality materials. Although durable and robust, abrasives and harsh chemicals can damage surfaces. Clean the chrome housing and lens with a damp soft cloth. Dry with a soft towel.

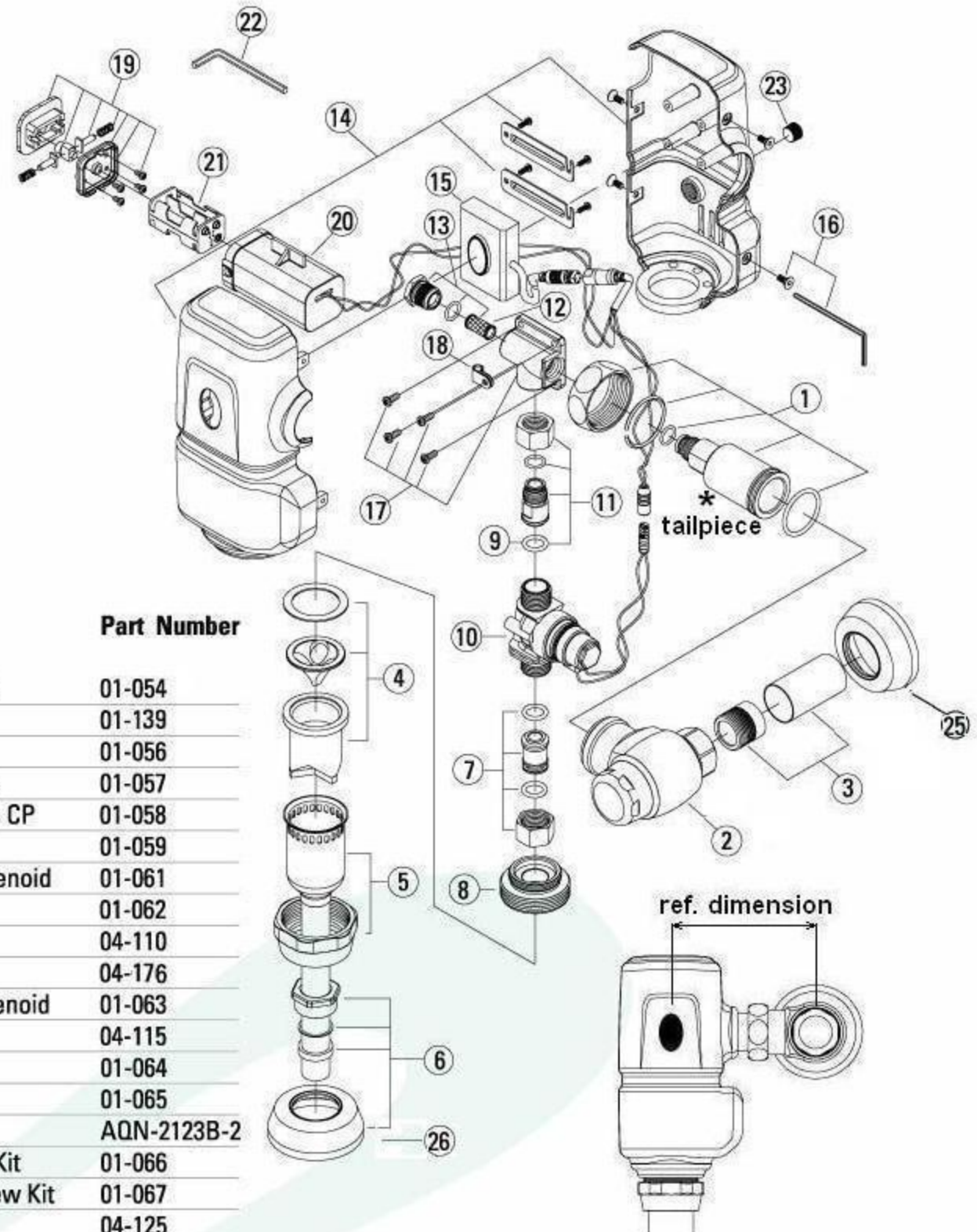
Re-assembling

To re-install, reverse the above steps.



2123B URINAL

intelligent™ Electronic Urinal Control, 'Retro-Fit' Style, Battery Operated PARTS LIST



Description	Part Number
1 Water Inlet CP, Body Assy.	01-054
2 Stop Valve Assy, CP	01-139
3 Wall Flange Kit, CP	01-056
4 V.B. Duckbill & Rubber Kit	01-057
5 Vacuum Breaker & Nut Kit, CP	01-058
6 Spud Nut Kit, CP	01-059
7 Swivel Adapter, Lower Solenoid	01-061
8 Discharge, Threaded, CP	01-062
9 "O" ring	04-110
10 Magnetic valve 6Vdc	04-176
11 Swivel Adapter, Upper Solenoid	01-063
12 Filter	04-115
13 Filter & Plug Kit	01-064
14 Main Body Assy., CP	01-065
15 Electronic Module	AQN-2123B-2
16 Body Screws & Allen Key Kit	01-066
17 Waterway 90° Body & Screw Kit	01-067
18 Cable Clamp, Nylon	04-125
19 Snap-pack Cover Assy.	01-107
20 Battery Pack with Cable	01-109
21 Battery holder, "AA"	04-095
22 Hex Key, 5mm	04-135
23 Metal plug	02-141
24 Battery 'AA' 1.5V Alky	04-096
25 Flange	04-146
26 Flange	01-105

* Tailpiece extension options :

standard fits 4 1/2" - 5 1/4" installation

01-054E1 : fits 5 1/4" - 6" installation

01-054E2 : fits 6" - 6 3/4" installation

01-054E3 : fits 6 3/4" - 7 1/2" installation