

**2033B-Z Toilette - Retro Zurn
(Z6000 series)**

**2033B-S Toilette - Retro Sloan
(Royal, Regal series)**



Convert manual flush valve into automatic
Work with most manual flush valves

Product Description

- 'Retro-fit' style flusher.
- Electronic module detects the presence of the user and enters its 'stand-by' mode. The toilet flushes when the user leaves the detection area.
- Computer based micro controller w/specially designed infra red sensors to detect within a required distance.
- All non-corrosive materials.
- Auto-courtesy flush every 12 hrs.
- Battery operated 'AA' - 6Vdc

Features

- Low maintenance vs mechanical models
- Very low water consumption
- Operates at very low water pressure
- Heavy duty cast housing
- Vandal Proof / Waterproof
- Remote control re-programmable
Flush Time / Flush delay / Detect Range /
Detect delay



Chrome-Plated Metal Casting Cover

Operates on 4 AA Alkaline Batteries

Latching Solenoid Operator

Manual Mechanical Override Button :
allows user to flush the valve during a power outage

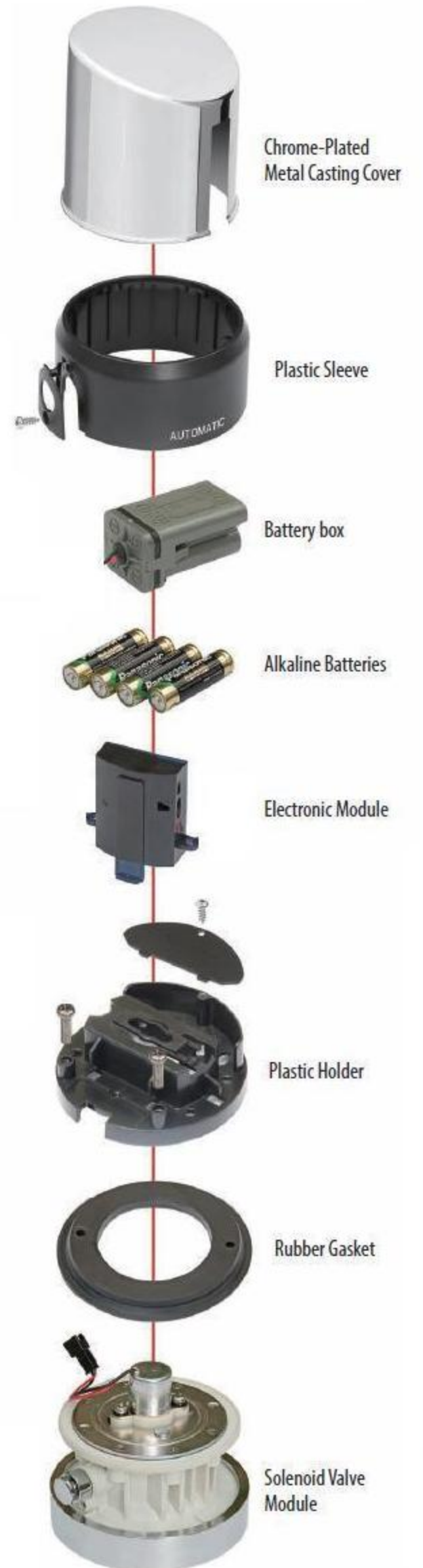
Operating Pressure :
15 to 100 PSI

Easy Installation and maintenance

Retrofits for Royal, Regal (Sloan) and Z6000 Manual Flush Valve (Zum)

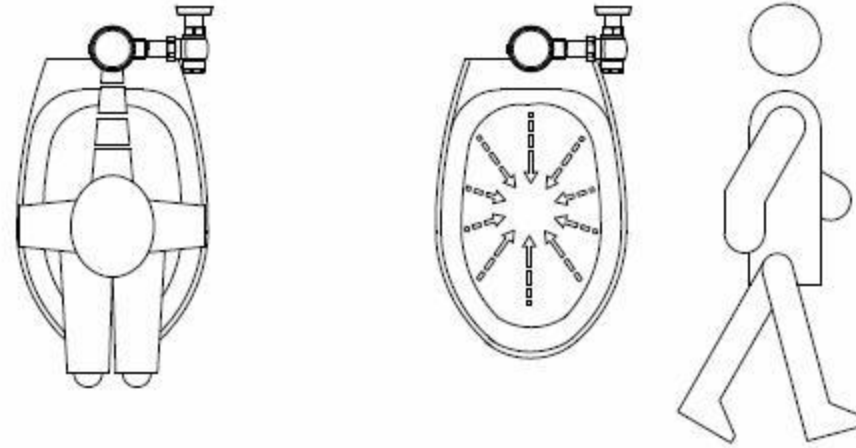
Infrared Sensor :
Accurate, stable performance, even in the sunlight or any light.
Adjustable sensor range : 15~32 inch.
Adjustable Flush Volume

Diaphragm Type:
self-cleaning mechanism, prevents clogging, reduces maintenance and ensures stable flow



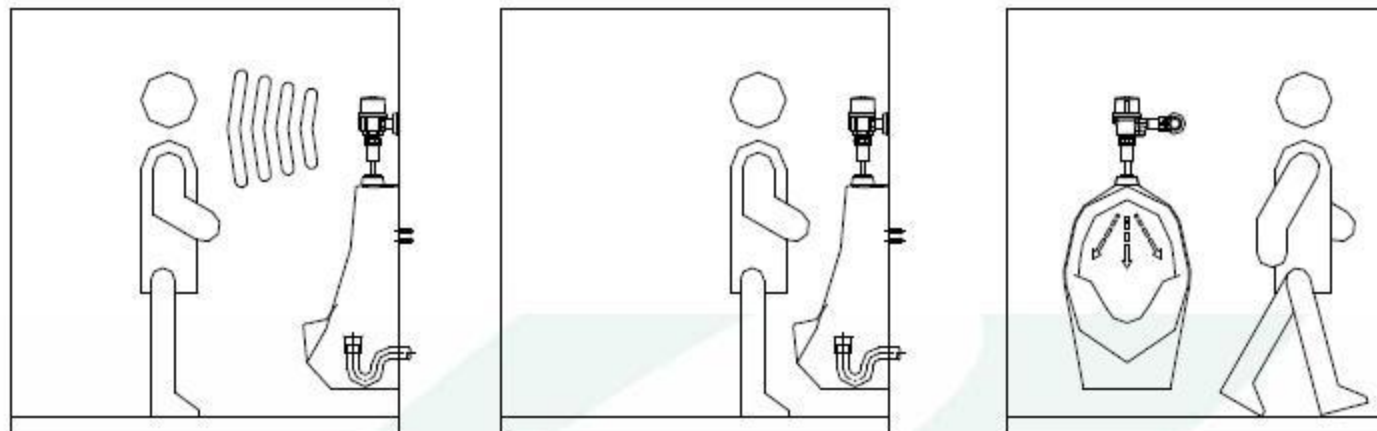
HOW TO USE

A. Closet Flush Valve



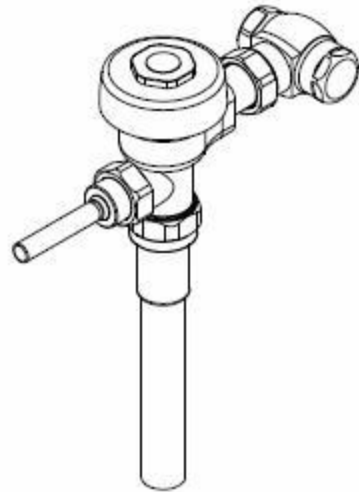
1. A continuous invisible light beam is emitted from the sensor. As the user enters the beam's effective range (15-32 inch) more than 5 seconds, the output circuit continues in a "hold" mode for as long as the user remains within the effective range of the sensor.
2. When the user steps away from the Valve, the circuit initiates a flushing cycle to flush the fixture. The circuit then automatically resets and is ready the next user.

B. Urinal Flush Valve



1. A continuous invisible light beam is emitted from the sensor. As the user enters the beam's effective range (15-32 inch) more than 5 seconds, the output circuit continues in a "hold" mode for as long as the user remains within the effective range of the sensor.
2. When user leaves the sensing area, the unit automatically flushes the urinal.

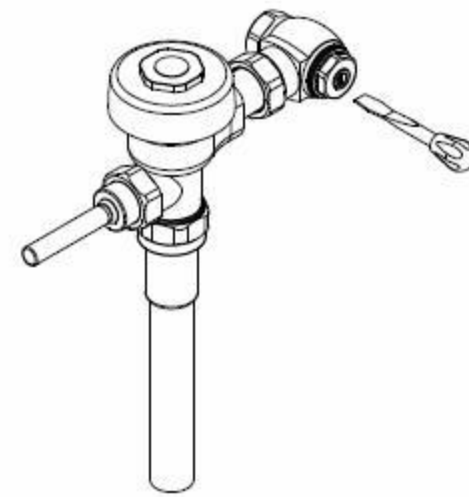
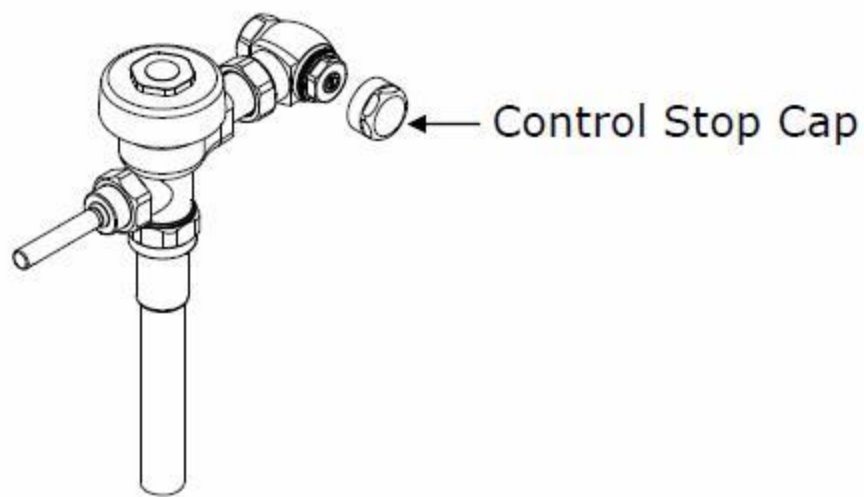
INSTALLATION AND CAUTIONS



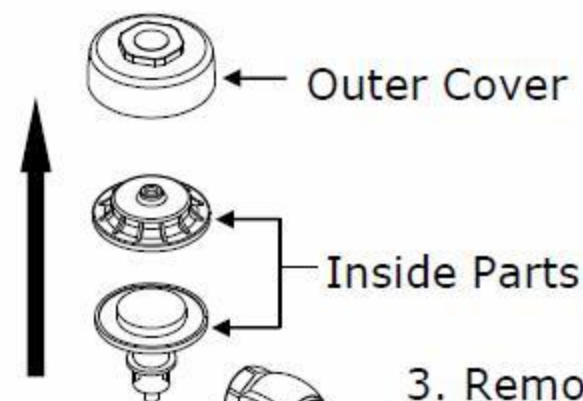
1. Select the model

2033B-S : Retrofits for Royal, Regal (Sloan) Manual Flush Valve

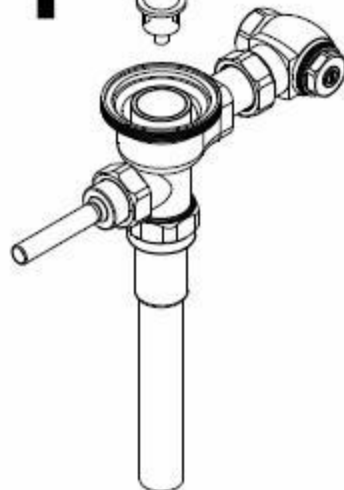
2033B-Z : Retrofits for Z6000 (Zurn) Manual Flush Valve

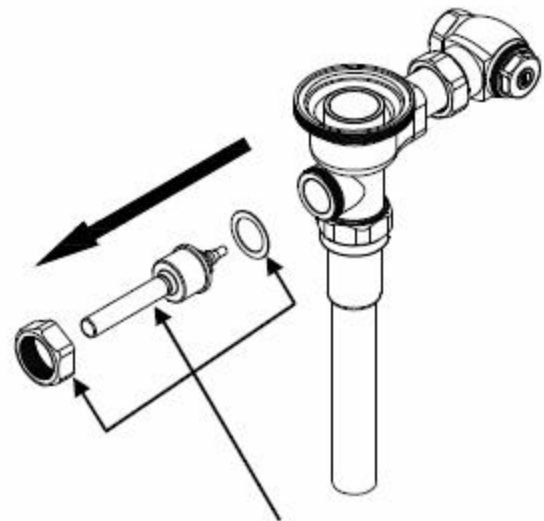


2. Remove Control Stop Cap and turn off water supply at Stop Cap.
Push Valve Handle to relieve water pressure.



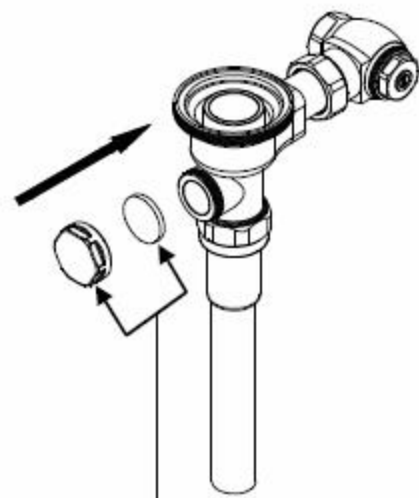
3. Remove Outer Cover and lift out inside Parts
Assembly.





Handle Assembly & Gasket

4. Remove Handle Assembly and Gasket.



Handle Cap with Gasket

5. Install New Handle Cap with Gasket to handle opening on Flushometer Body. Tighten Handle Cap securely.



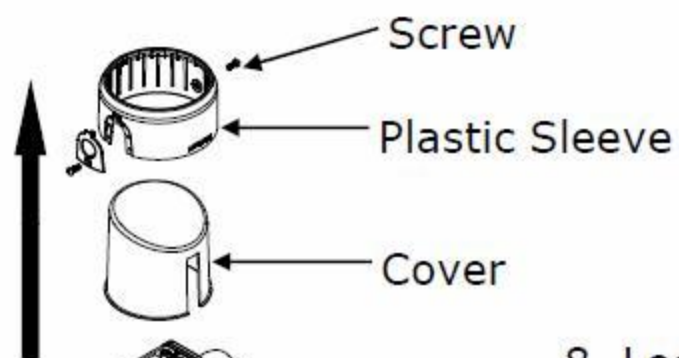
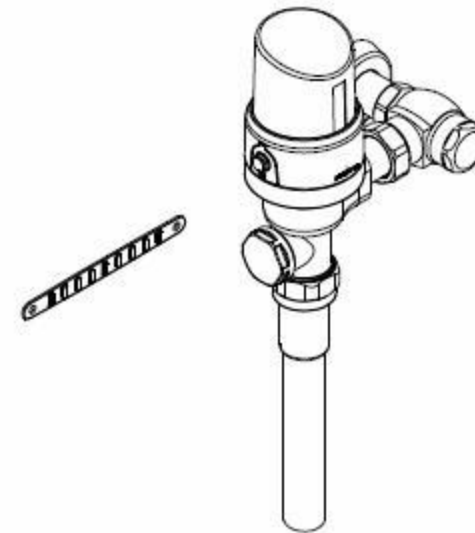
Retrofit kits



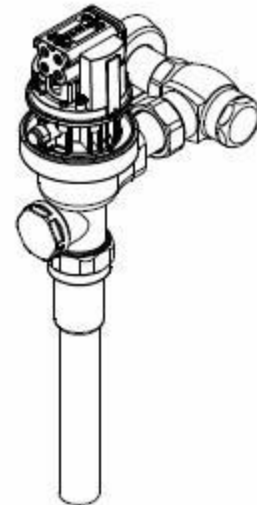
Plastic blue cover

6. Remove the plastic blue cover under the retrofit kits.

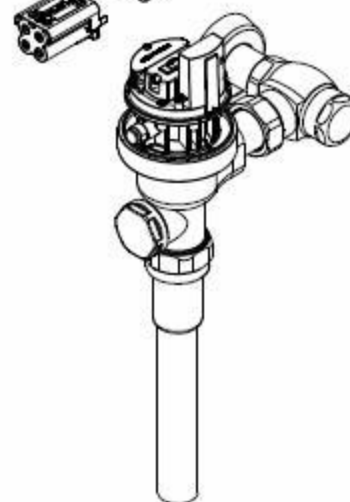
7. Place entire Retrofit Assembly onto the valve body. Use provided plastic tool or Strap Wrench tightly secure Locking Ring.

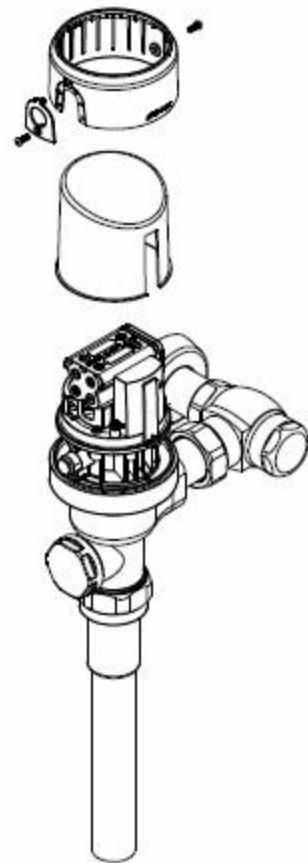


8. Loosen the two screws with Hexagonal wrench to remove the Plastic Sleeve and then remove the Cover.

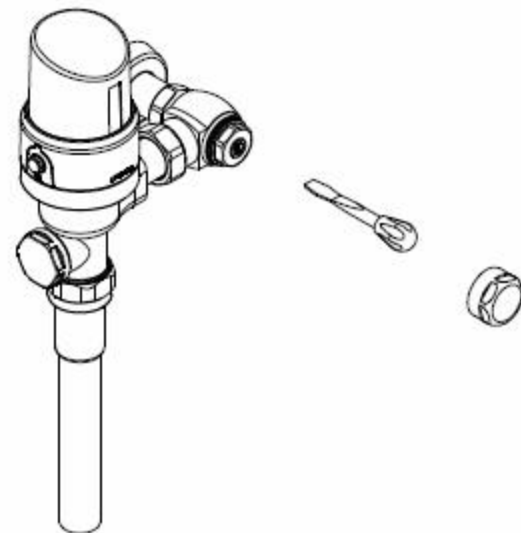


9. Remove the Battery Compartment, remove the Cover, install 4 Alkaline AA size Batteries exactly as illustrated

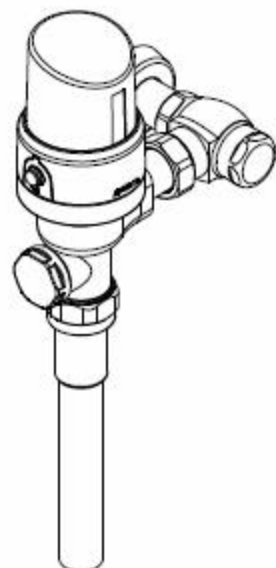




10. Reinstall the Cover and Plastic Sleeve as illustrated.



11. Turn on the water supply for operation test.



12. Installation Completed.