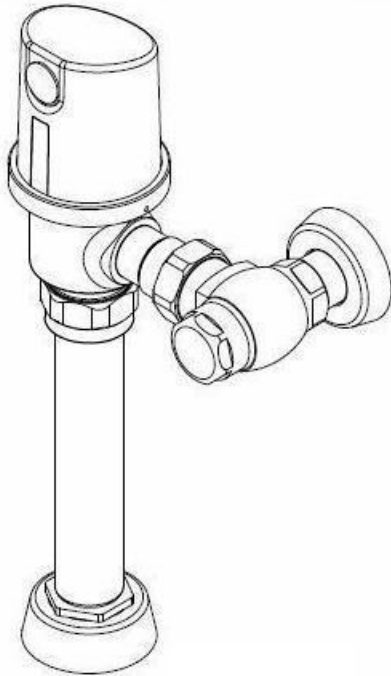


2031 U-Sir Technology

intelligent™ Electronic Toilet Control



Product Description

- 'Retro-fit' style flusher
- Electronic module detects the presence of the user and enters its 'stand-by' mode. The toilet flushes when the user leaves the detection area.
- Computer based micro controller w/specially designed ***U-Sir sensor advance technology** to detect within a required distance.
- All non-corrosive materials
- Auto-courtesy flush every 12 hrs.
- Operated – 6Vdc

Features

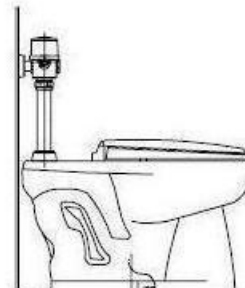
- Low maintenance vs mechanical models
- Very low water consumption
- Operates at very low water pressure
- Heavy duty cast housing
- Vandal Proof / Waterproof
- Remote control re-programmable
 - Flush Time / Flush delay
 - Detect Range / Detect delay
- Manual Push Button

*U-Sir sensor advance Technology

Just like radar...will catch you every time

No matter the colour or fabric of clothing, walls, doors, surrounding light or distance....it is of no consequence.

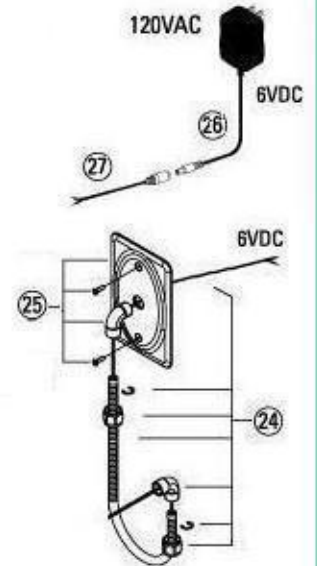
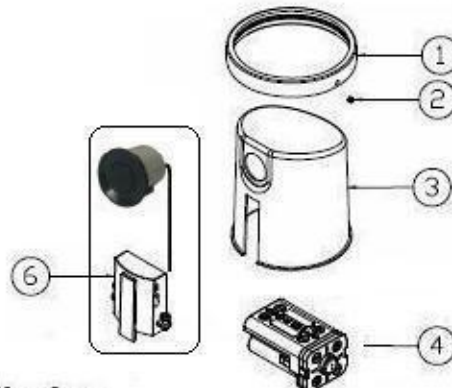
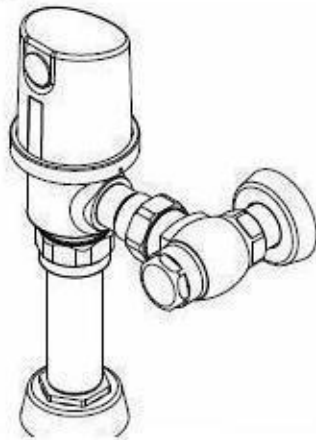
It's Aquanar Intelligent™ proven technology



2031 U-Sir Technology

intelligent™ Electronic Toilet Control

PARTS LIST



#	Description	Part Number
1	Locking Ring	02-219
2	Screw	08-Q57
3	Top Cap	02-237
4	Box	01-176
6	U-SIR Circuit Assembly	2031UST-2
7	Screw	08-Q58
8	Base, Plastic	02-240
9	Rubber, seal	02-222
10	Screw	08-Q51
11	Screw	08-Q59
12	Solenoid Valve	04-172
13	Spring	02-223
14	Diaphragm assembly	04-173
15	Push Button	01-154
16	Valve Body assembly	01-155
17	Filter	01-169 (e/w 01-152 & 04-157)
18	Stop Valve	01-138
19	Sleeve pipe & sweat adaptor	01-119
20	Wall flange	04-147
21	Vacuum Breaker	01-057
22	Tube & Nut	01-120
23	Spud Nut Kit	01-121
24	Wire Jacket, Vandal Proof	01-053 (e/w 04-185 & 02-241)
25	Wall Plate	01-052
26	Power Switch 6VDC	04-134
27	Wire	04-141

